

TITAN AND TONUS CHAIR



Titan and Tonus chair, designed by René Hougaard - Arde Design, new modern and still classic chairs. Both chairs are beautiful, classic and comfortable solid wood chairs, with upholstered seat and backrest. They are tested and approved for public use, and one of them -Tonus- chair is stackable. If you want a comfortable chair, Titan or Tonus could be your choice - with the armrest and rounded upholstered back you can sit, almost, forever.

www.pbjdesignhouse.com

*Designed by
René Hougaard*



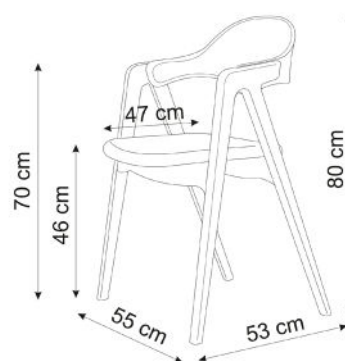


Titan chair

No 8080

Solid wood chair with upholstered seat and backrest. Tested and approved for public use.
1 pcs. per box.
Seat high: 46 cm

L 53 W 55 H 80 cm.

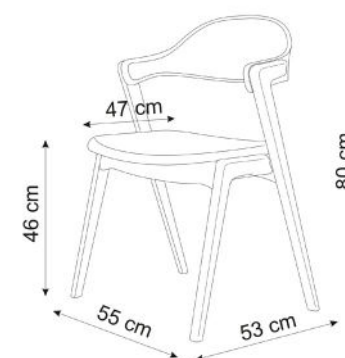


Tonus chair

No 8082

Solid wood chair with upholstered seat and backrest. Tested and approved for public use.
Tonus chair is stackable.
2 pcs. per box.
Seat high: 46 cm

L 53 W 55 H 80 cm.



TITAN AND TONUS CHAIRS

Titan and Tonus armrest chair, designed by René Hougaard - Arde Design, new modern and still classic chairs. Both chairs are beautiful, classic and comfortable solid wood chairs, with upholstered seat and backrest. They are tested and approved for public use, and one of them -Tonus- chair is stackable. You can get the chairs in 5 different wood colours, and the seat



COLOURS AND MATERIALS

CHAIR - BASE COLORS

SOLID	 43 Light oak lac	 45 Oak natural oil	 49 Smoked oak mat lac	 87 Black oak lac	 75 Walnut oil
LEATHER	 90 Sand	 91 Cognac	 92 Choco	 93 Black	
FABRIC DEVIDE	 20 Bordeaux	 22 Dusty Green	 24 Dusty Charcoal	 26 Dusty Grey	 27 Light Grey
	 28 Dusty Blue	 29 High Blue			
FABRIC CURA	 80 Light Grey	 81 Brown	 82 Charcoal	 83 Mustard	 84 Dark Green
	 85 Petrol	 86 Dark Blue			

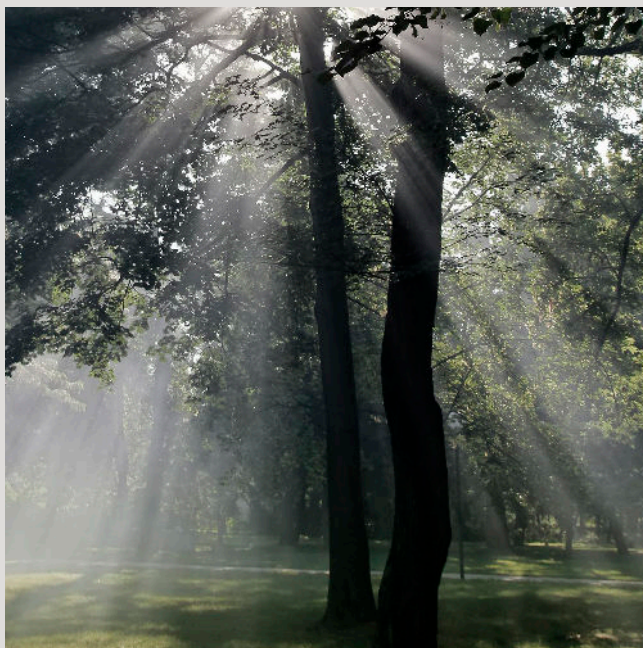
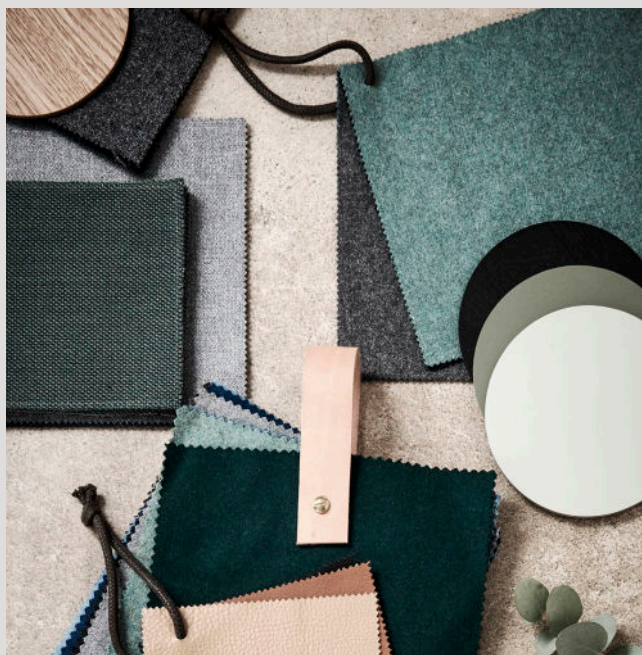
QUALITY FURNITURE SINCE 1968

PBJ Designhouse was founded in 1968 by Per Buhl Jørgensen. Since 1996 the proud design and craftsmanship tradition has been carried on by Morten Svendsen, and the company has invested in larger production facilities to follow the strong demand.

DANISH DESIGN

PBJ Designhouse has a tradition of bringing together furniture architects and certified cabinet makers since the start.

This has turned the company into an exponent of Denmark's proud traditions in furniture – when creativity and quality unite, the result reaches new heights.



FURNITURE WITH A CONSCIENCE

All wood used at PBJ Designhouse comes from state approved plantations, where the logs are individually selected and gently harvested.

We often produce furniture with veneer. The reason for this is twofold. It reduces the use of solid timber, thereby conserving natural resources. Secondly, the MDF that the veneer cover is made with recycled wood which is better for the environment whilst still producing a strong and high-quality surface.

All of our timber and veneer are carefully hand sorted so that the grain patterns and color variations are as natural as possible.



PBJ Designhouse
Skovvænget 2
DK-7860 Spøttrup
Denmark

pbj@pbjdesignhouse.com
pbjdesignhouse.com

Item: 0010-0019 - Version: 04012022

Your specialist dealer:

The brochure is subject to technical changes and possible printing errors.