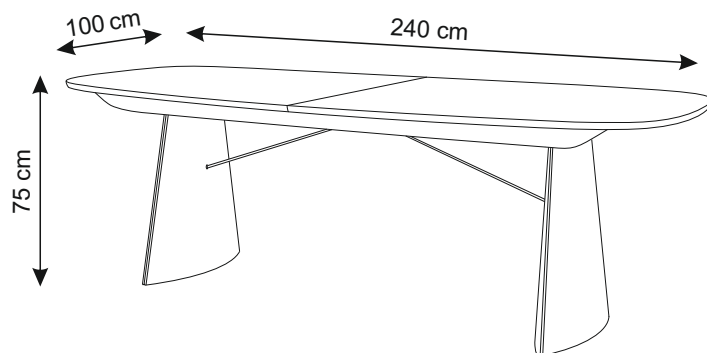
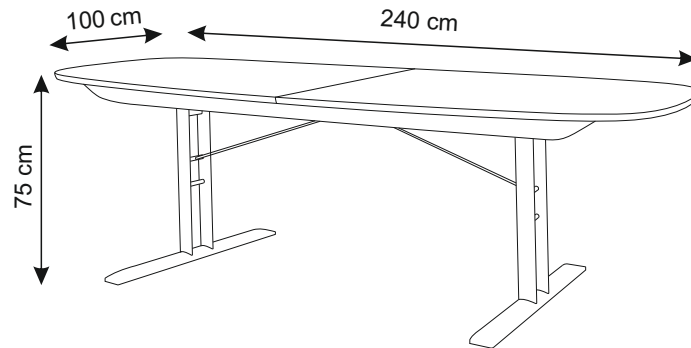
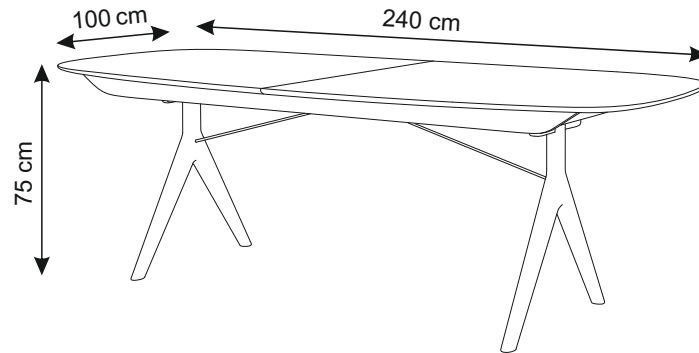


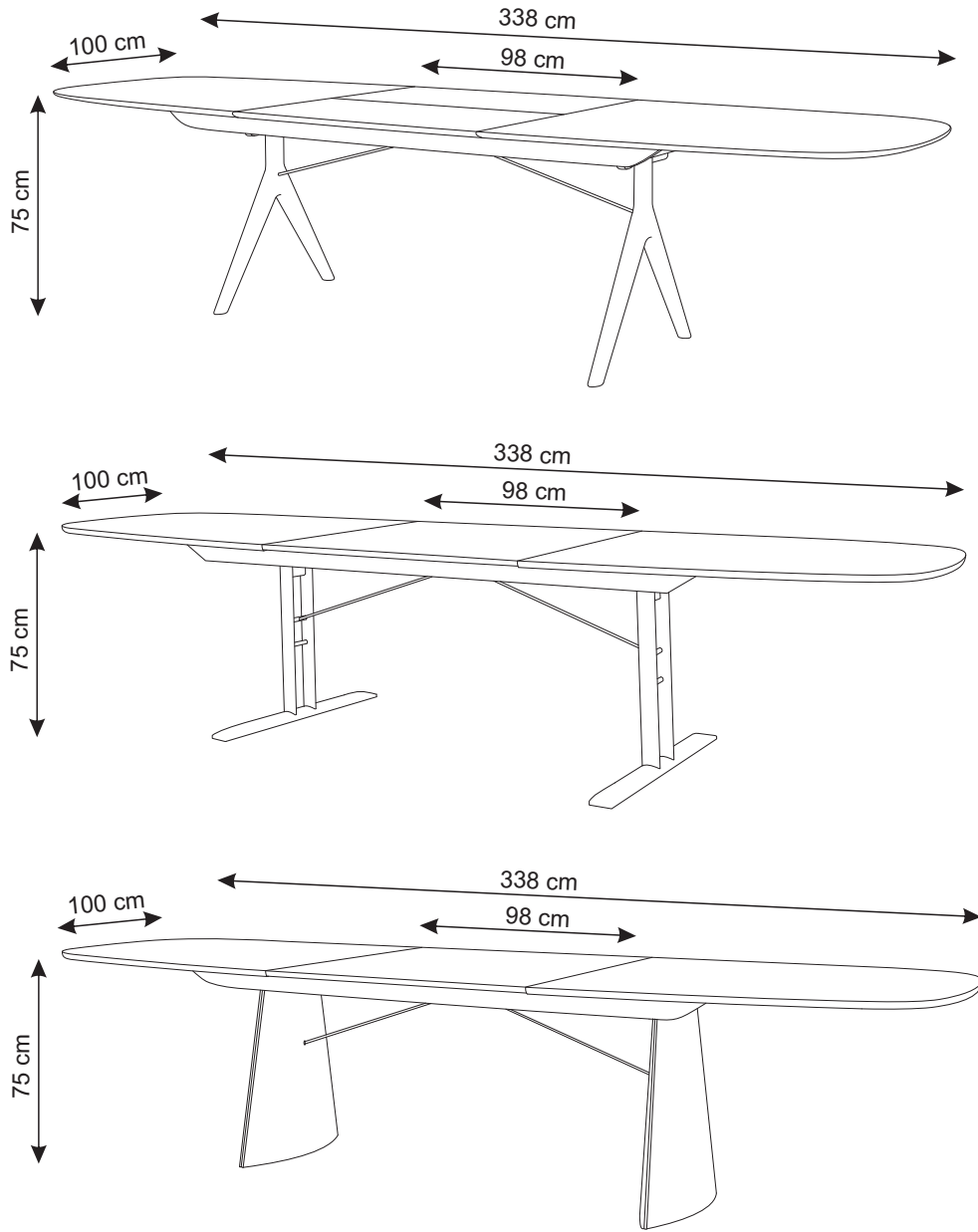
Corna / Malli / Collum

Super Ellipse

extended



PBJ
DESIGNHOUSE
1968



A

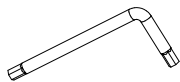
6x40 mm



16

B

4 mm



1

C

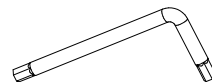
6x8 mm



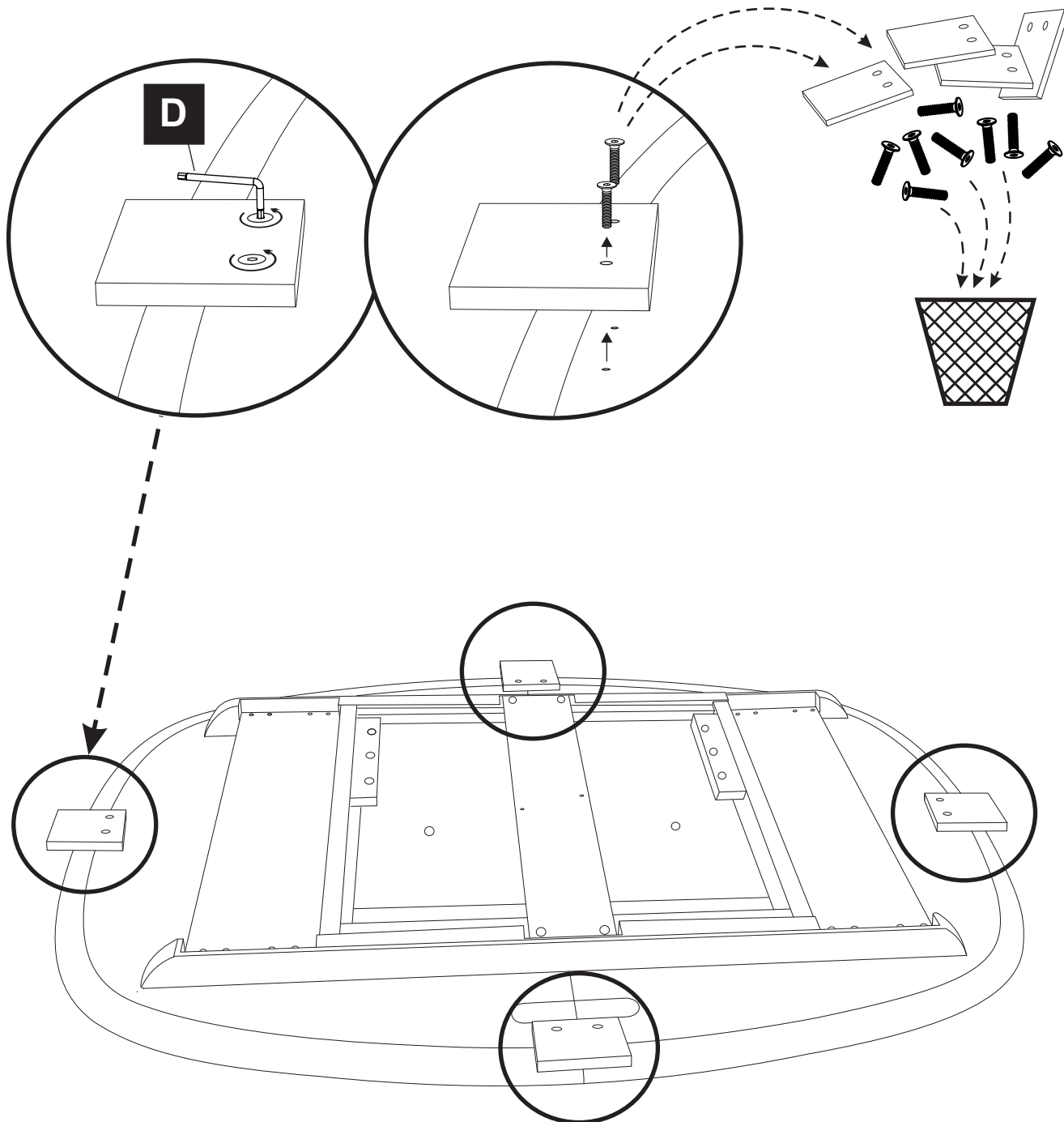
2

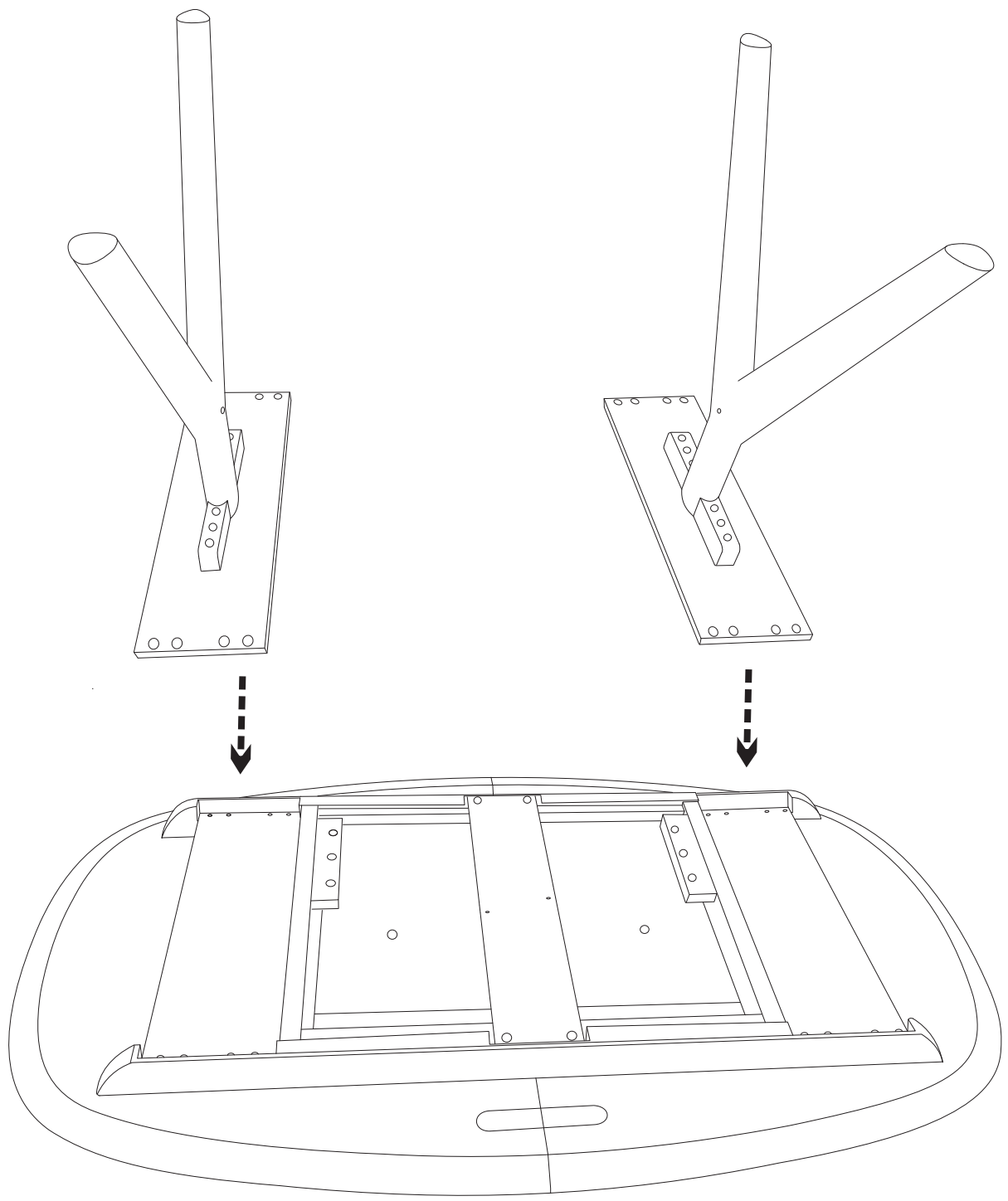
D

5 mm

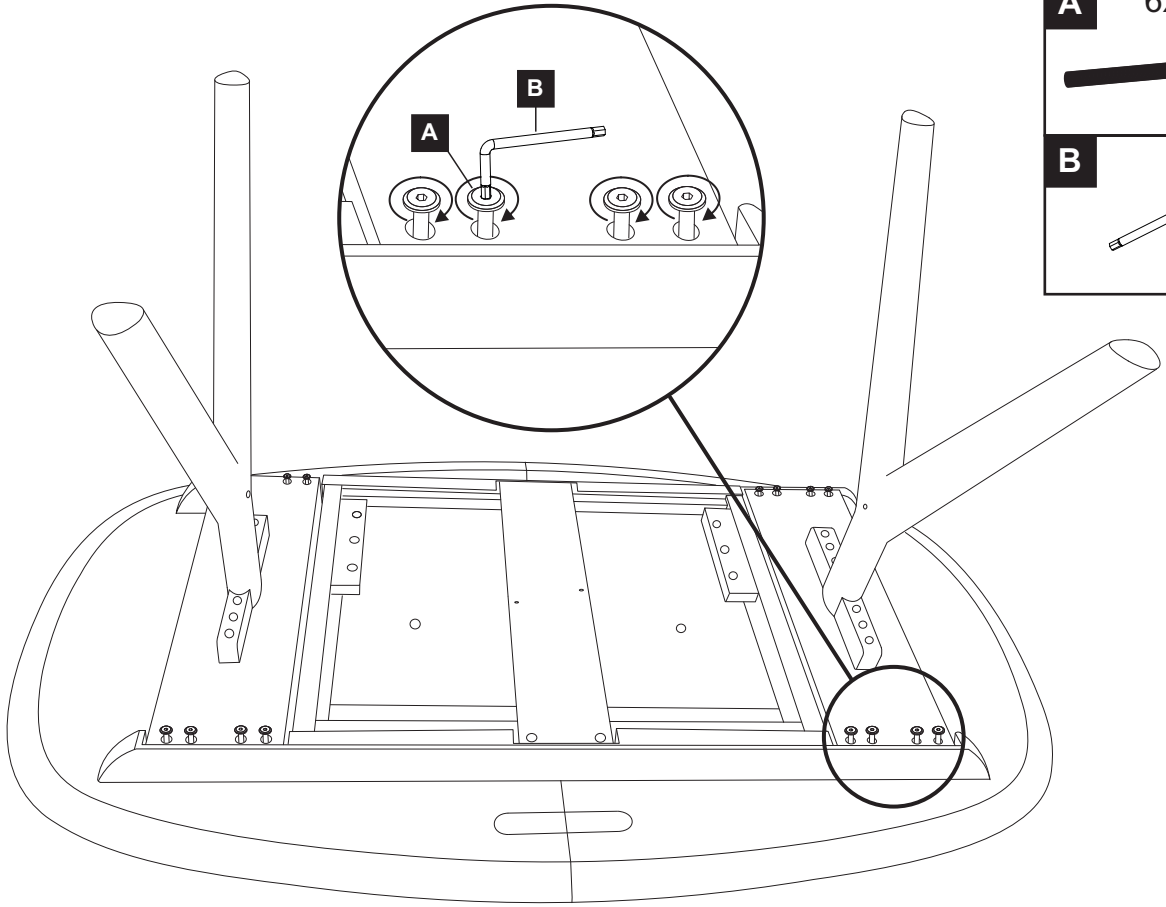


1

1



3



A 6x40 mm



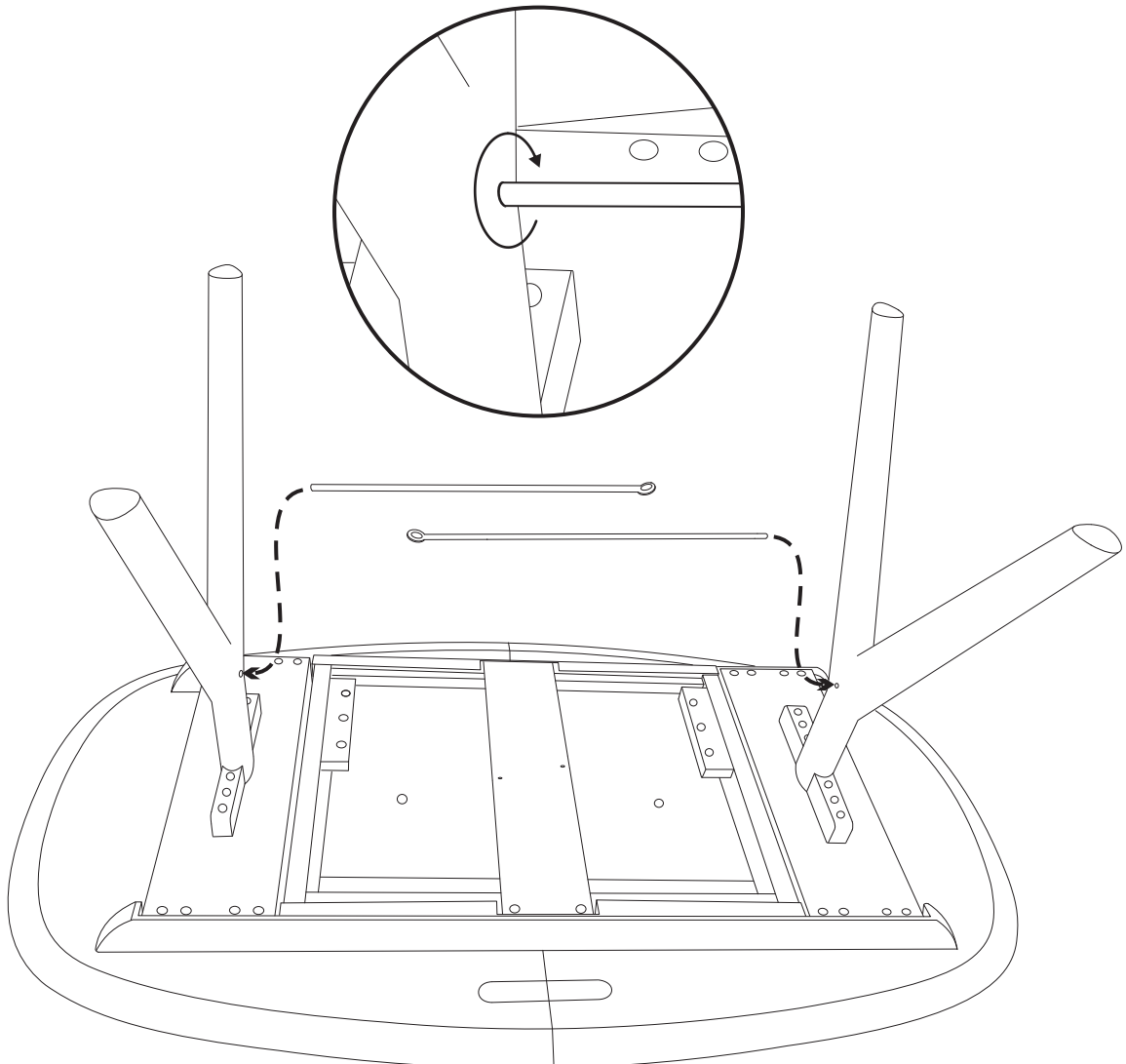
16

B 4 mm



1

4

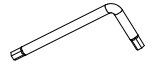


5

5

B

4 mm



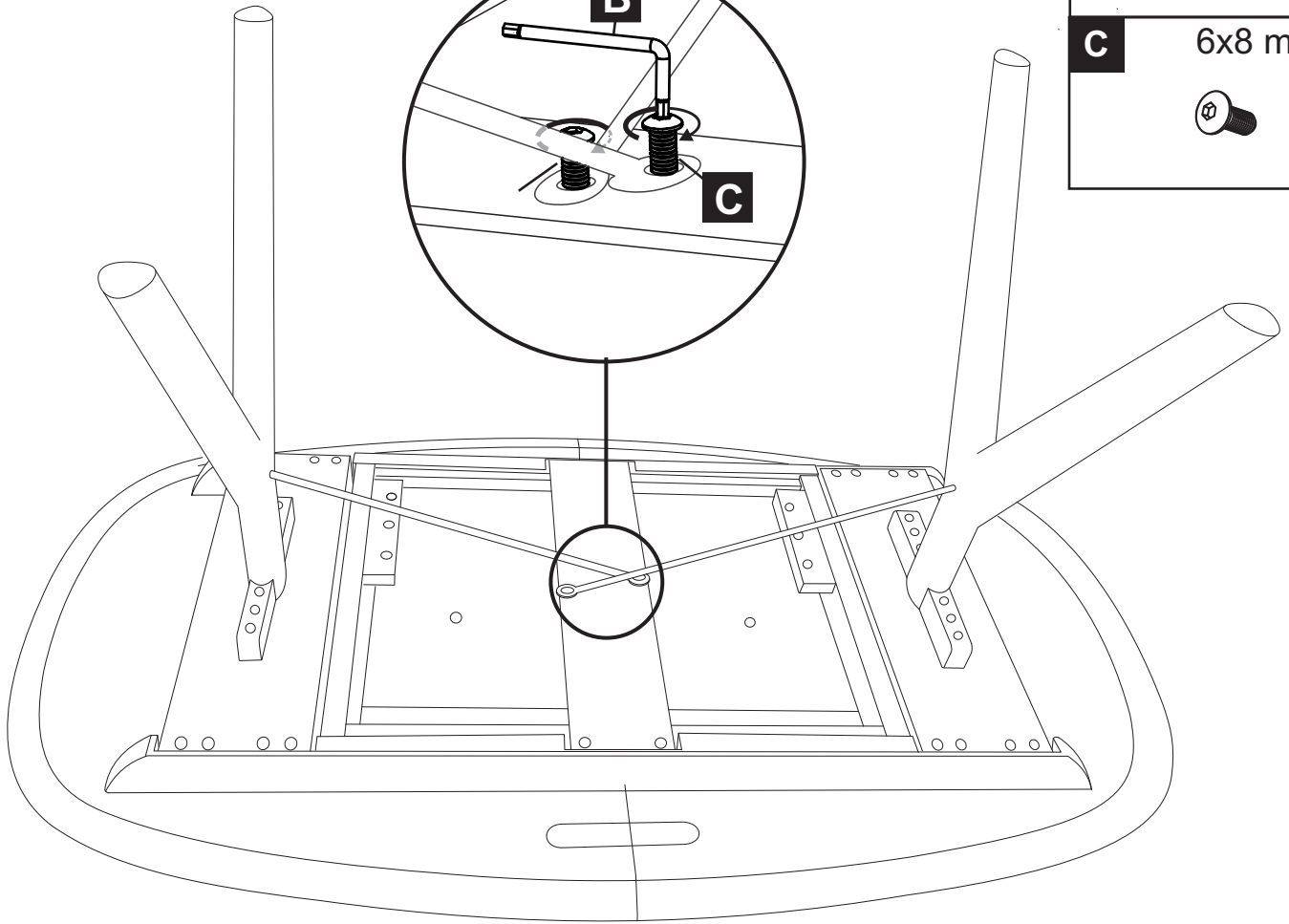
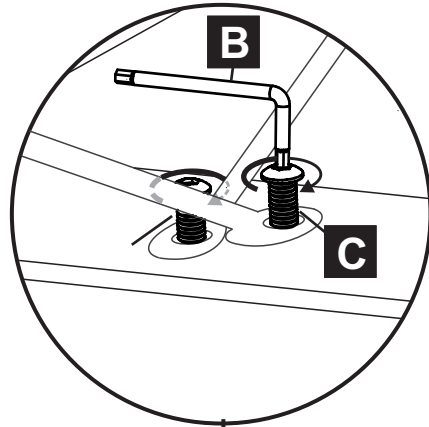
1

C

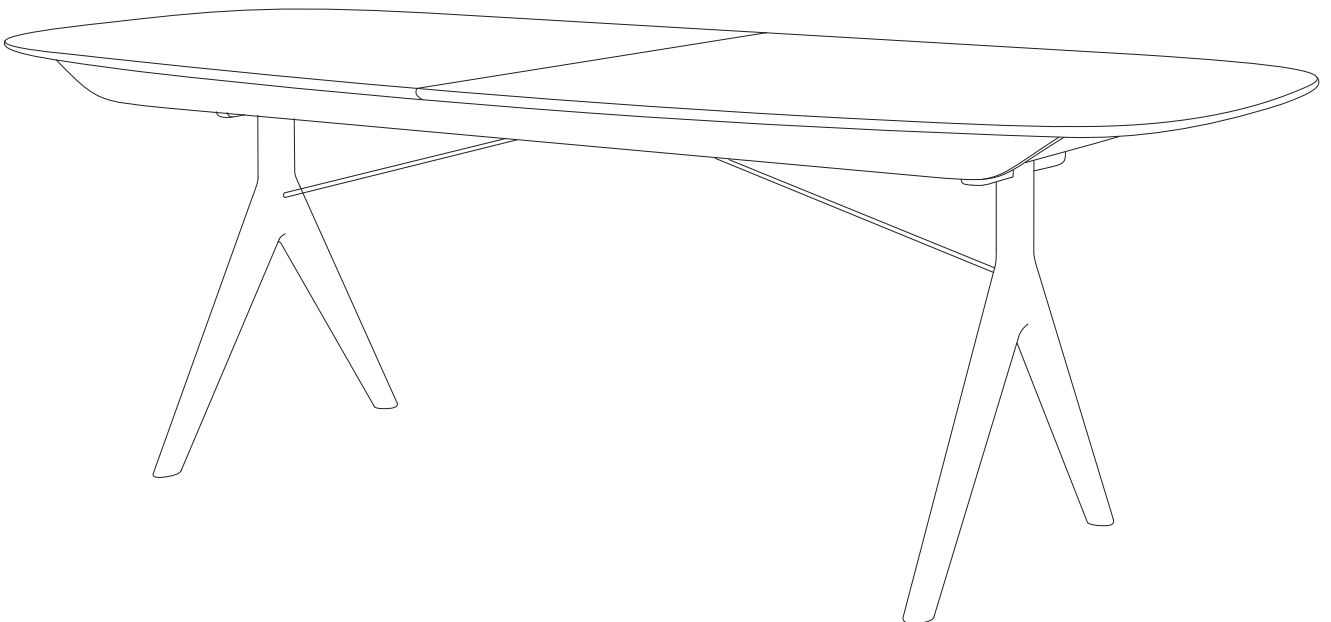
6x8 mm



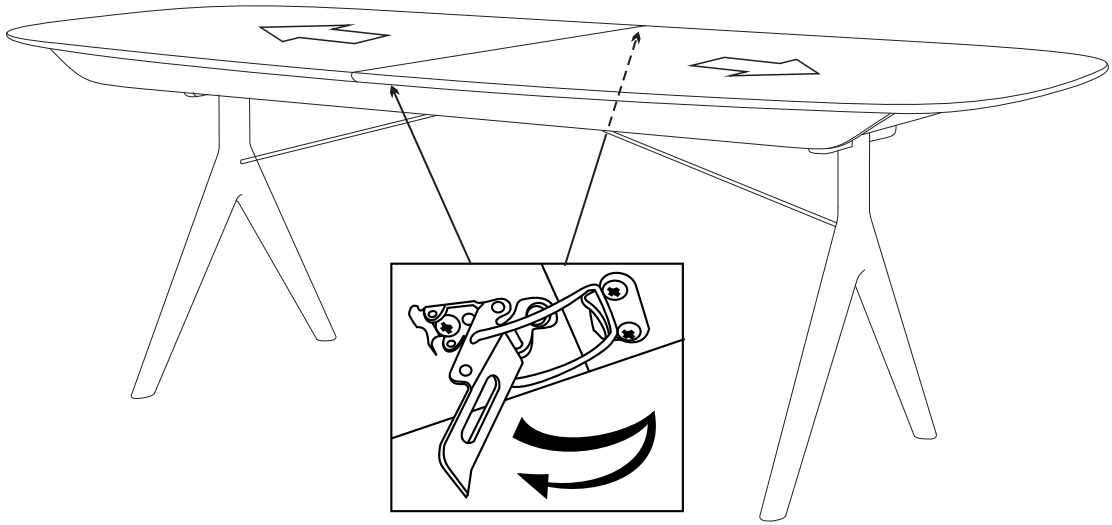
2



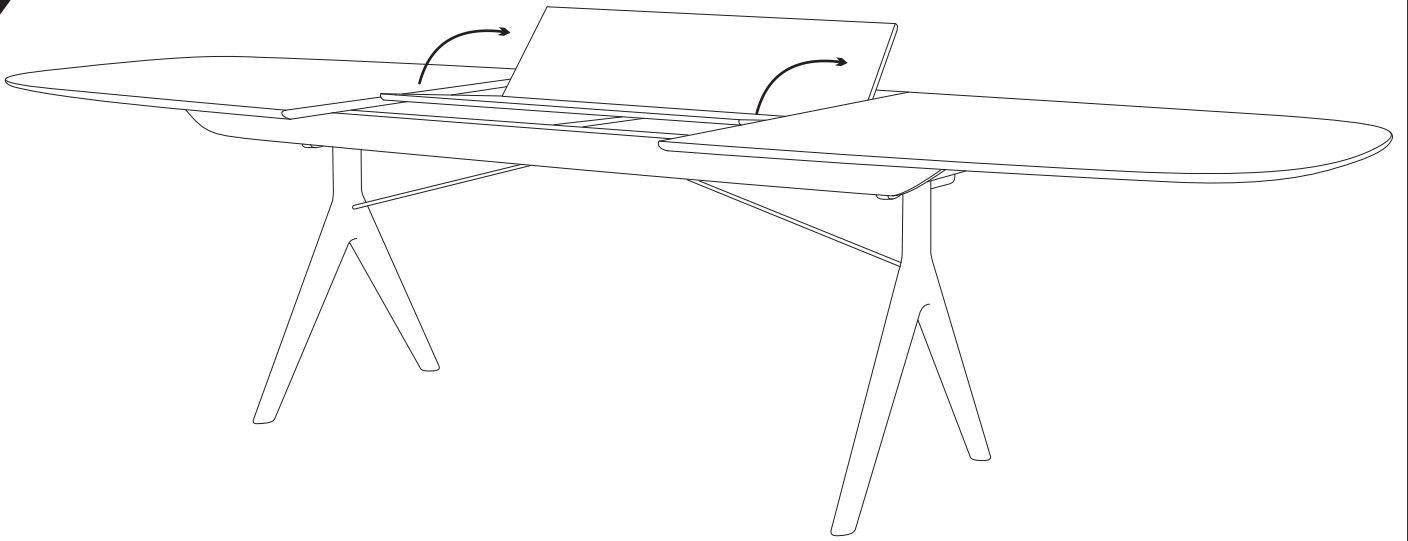
6



7

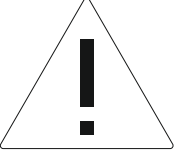
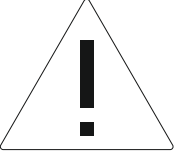

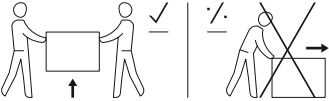
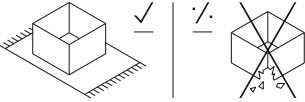
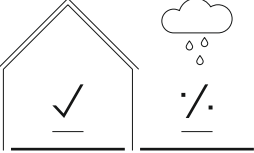
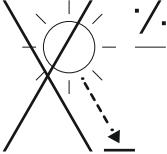
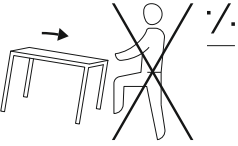



8



9



	<p>Please tighten the screws/legs after 4-5 weeks of use and then subsequently every 4-5 months.</p>
	<p>We do not recommend that young children are present during assembly due to the risk of choking on small parts and/or injury. Never leave your child unattended with furniture that has not been fully assembled.</p>
	<p>Requires 2 persons to lift.</p>
	<p>Do not push or drag boxes or furniture across the floor - please lift when moving.</p>
	<p>We recommend using a non-slip rug underlay.</p>
	<p>This product is for indoor use only.</p>
	<p>Do not place the furniture in direct sunlight.</p>
	<p>Do not use furniture as a climbing aid.</p>
	<p>Do not sit, stand or jump on the table</p>