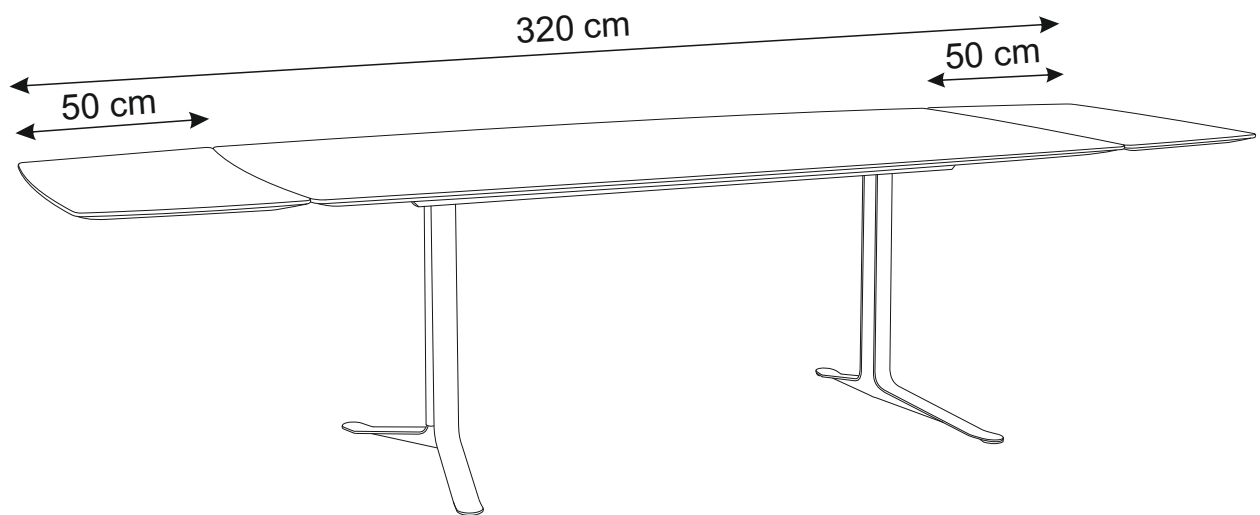
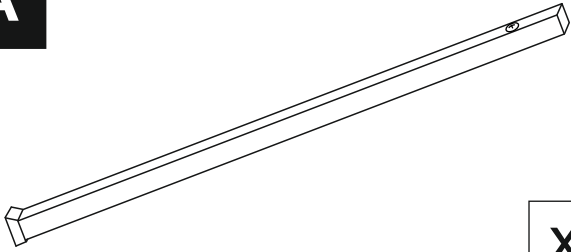


# Fusion

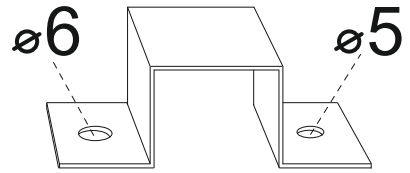
Extension



**PBJ**  
DESIGNHOUSE  
1968

**A**

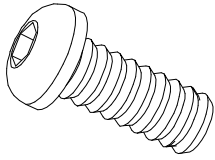
x4

**B**

x8

**C**

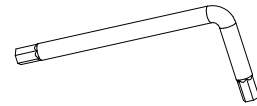
M5x12



x16

**D**

3 mm

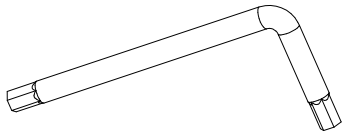


241188

x1

**E**

4 mm



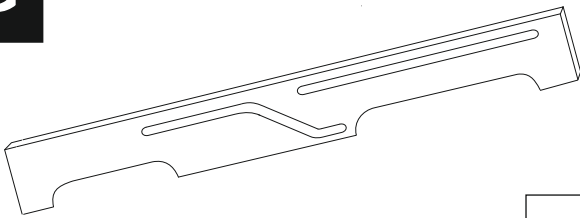
x1

**F**

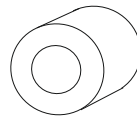
M6x80 mm



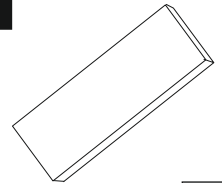
x6

**G**

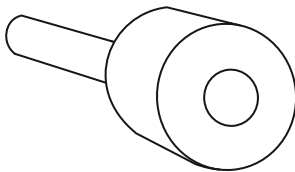
x2

**H**

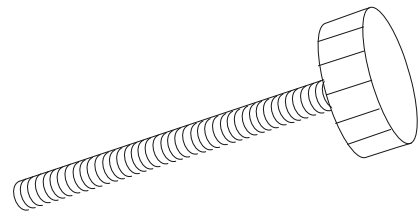
x4

**I**

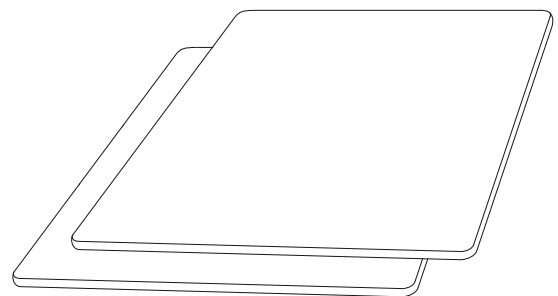
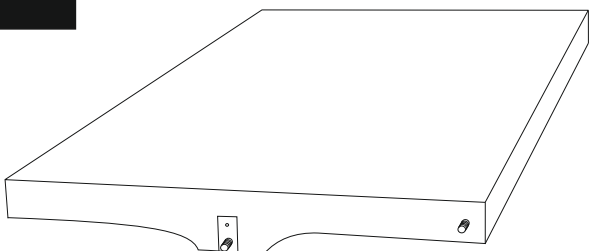
x2

**J**

x1

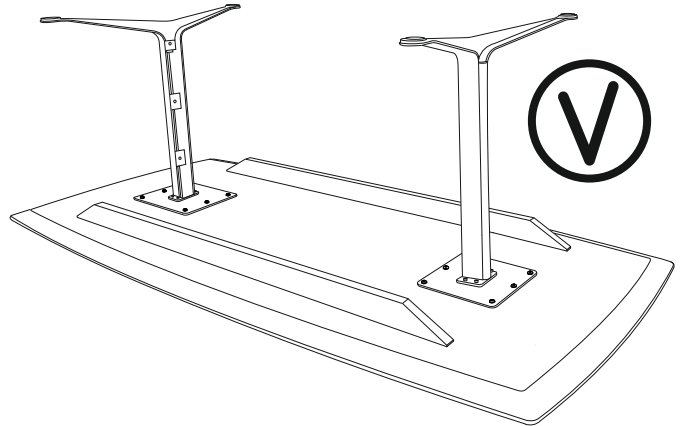
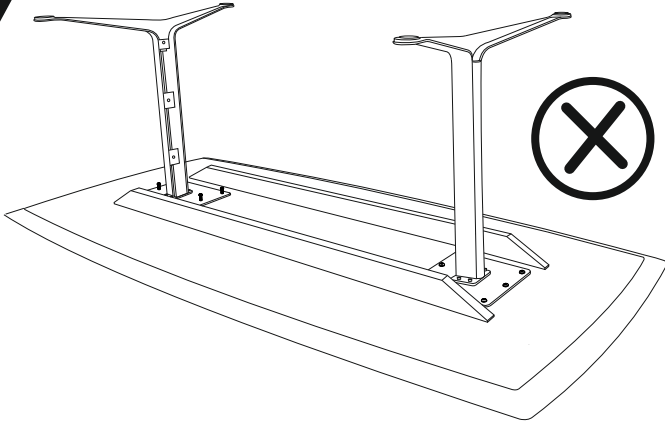
**K**

x4

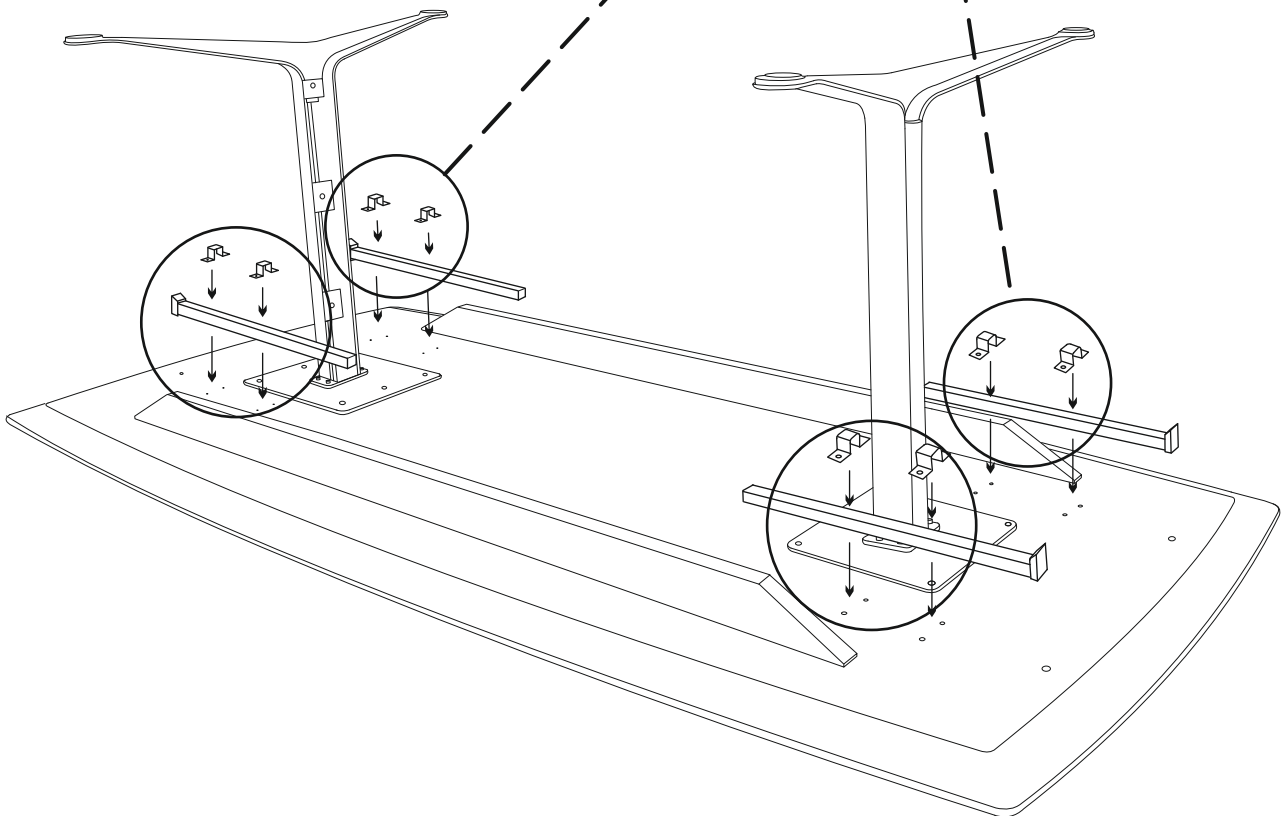
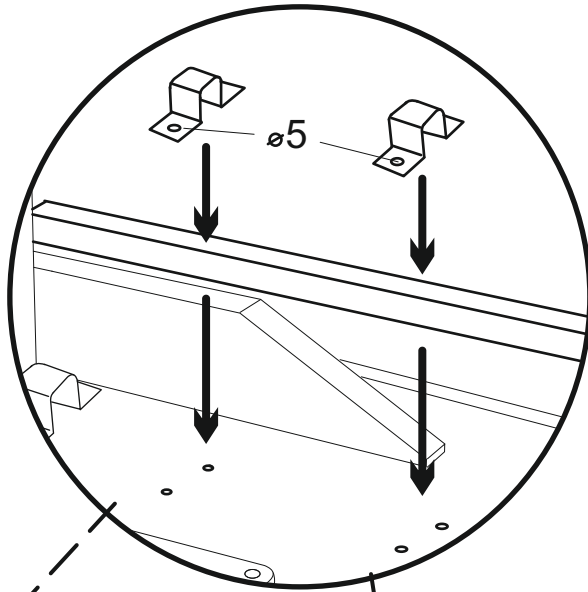
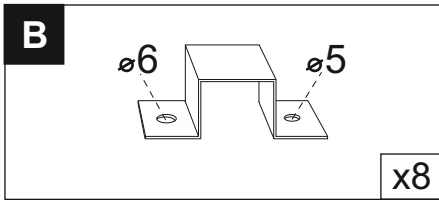
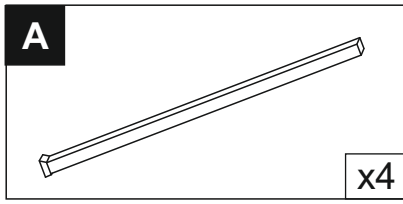
**L**

2

1

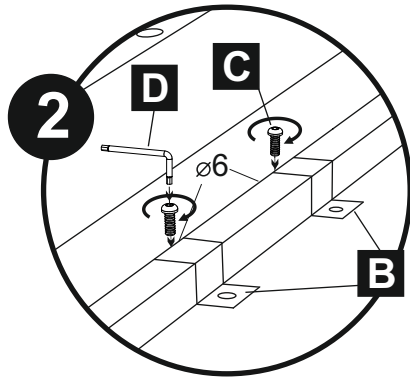
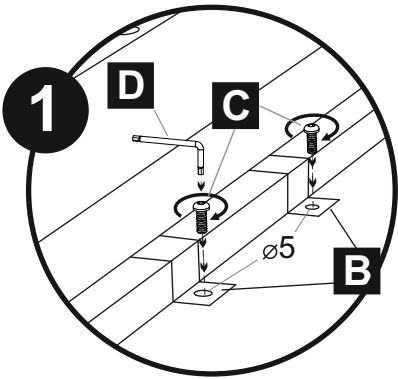
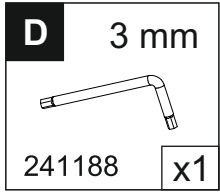
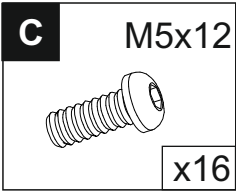
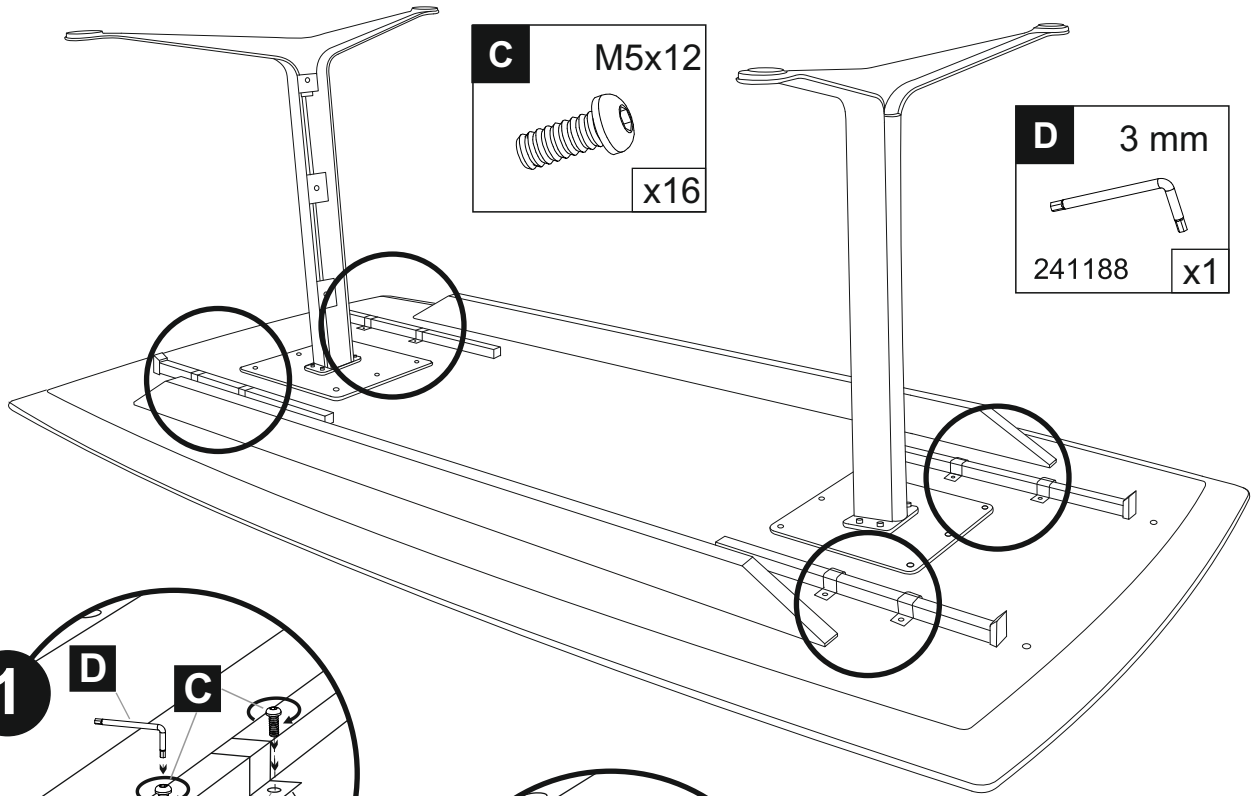


2

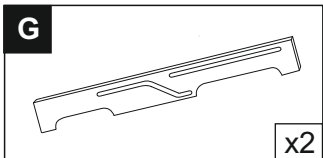
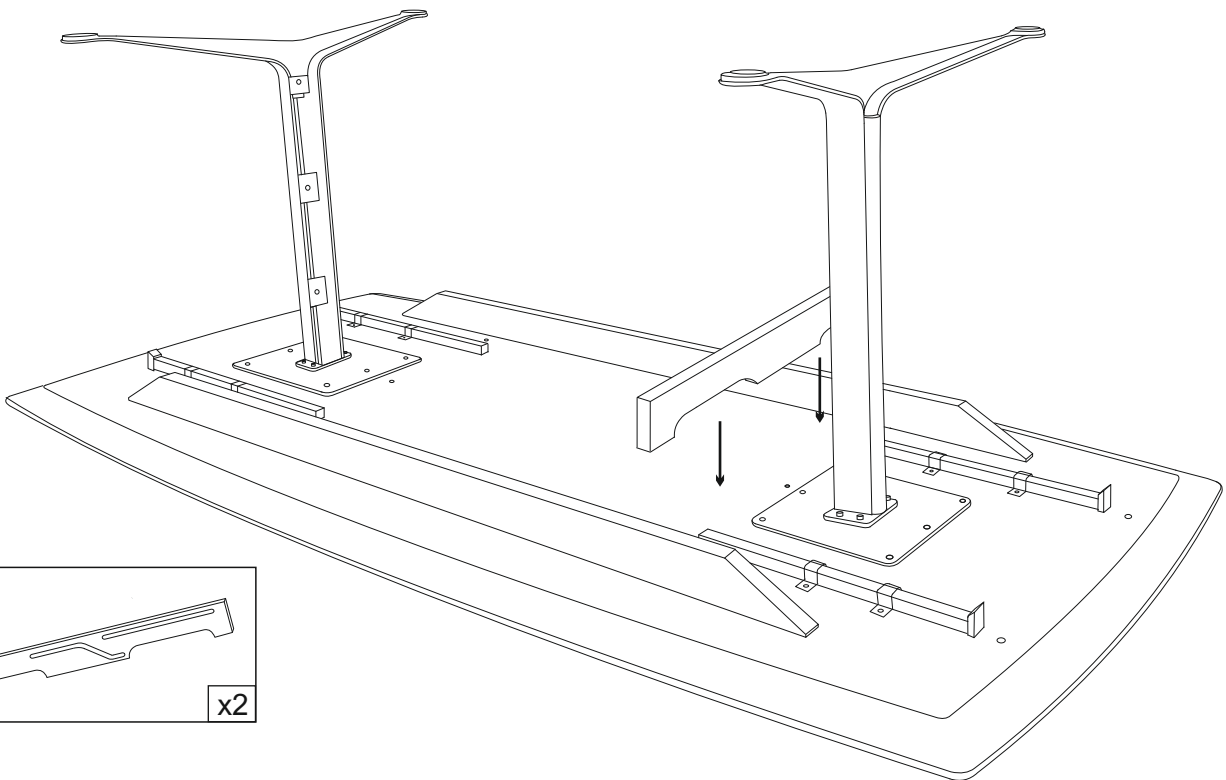


3

3

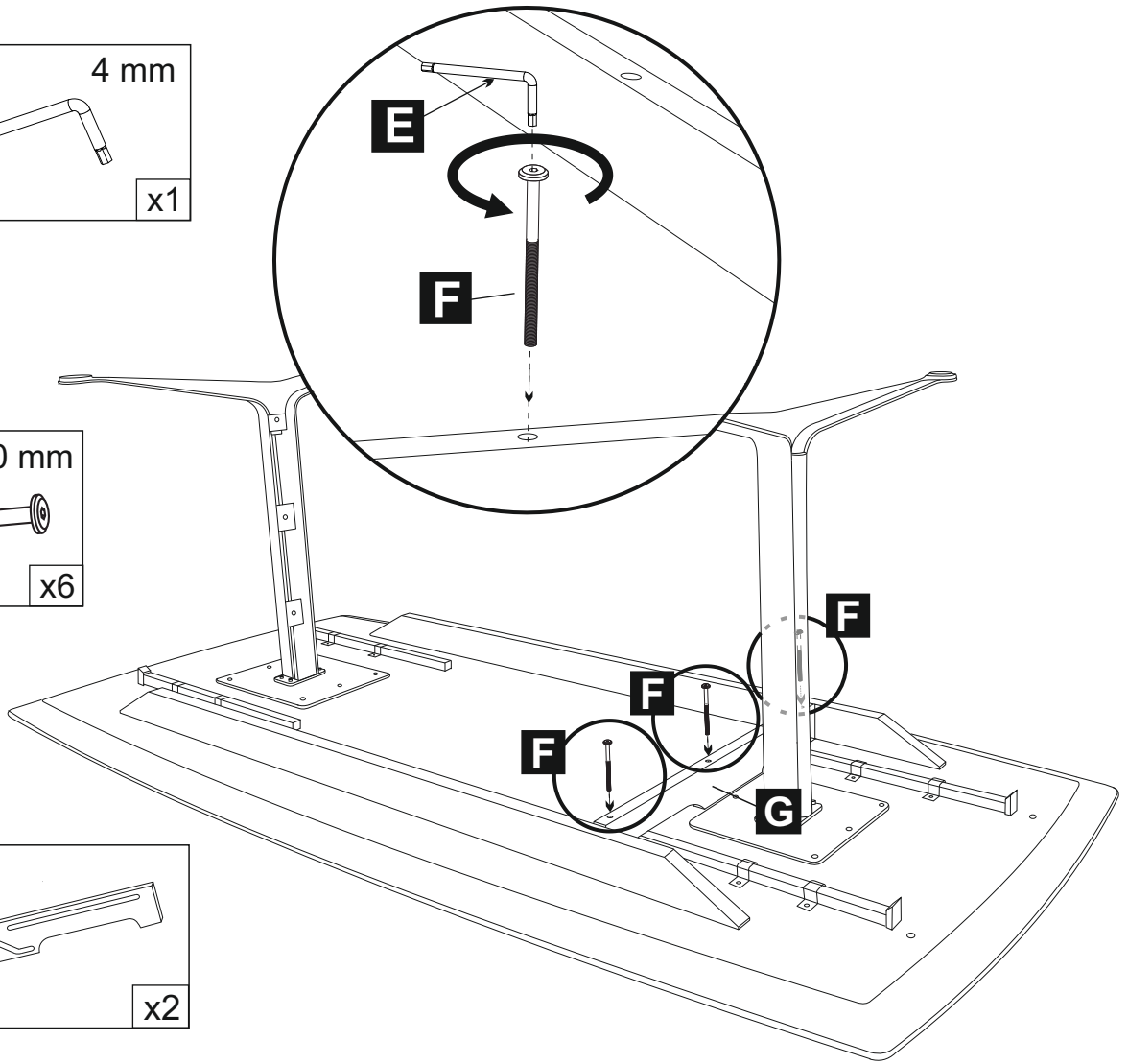
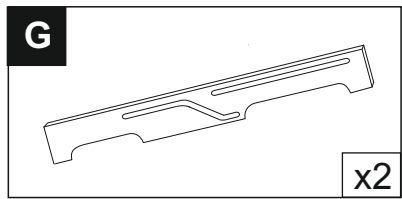
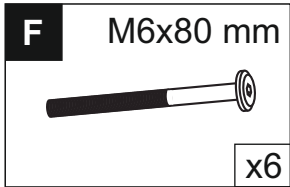
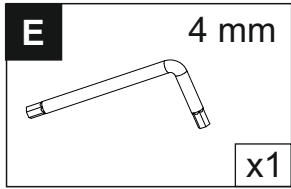


4

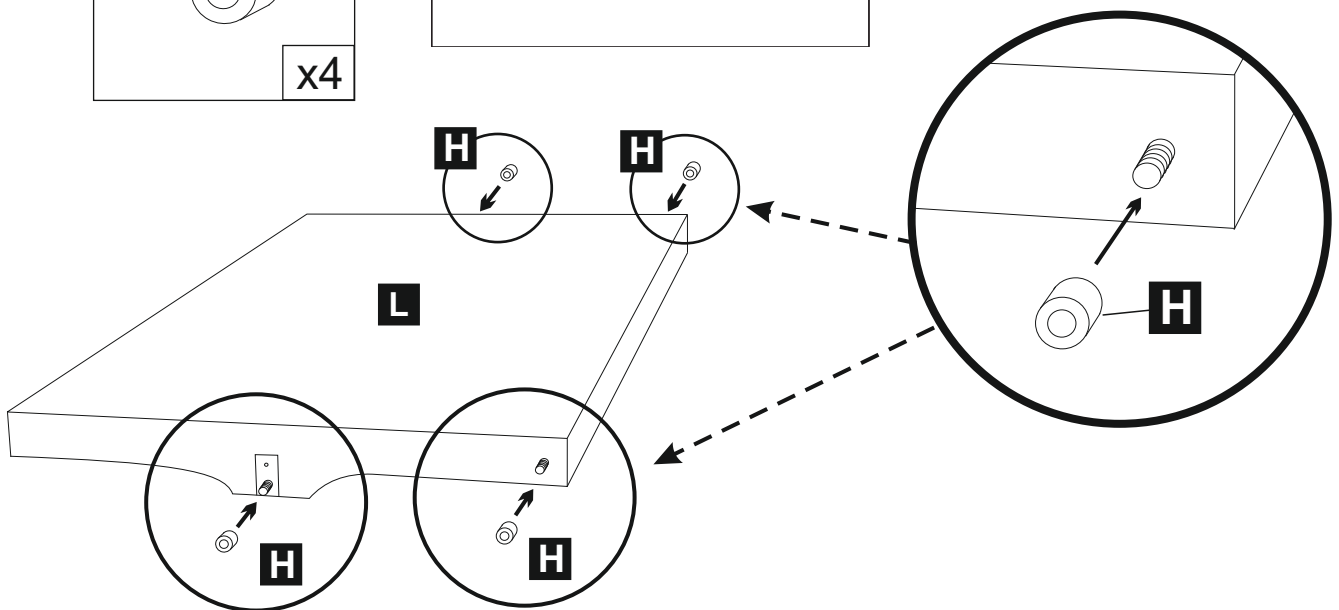
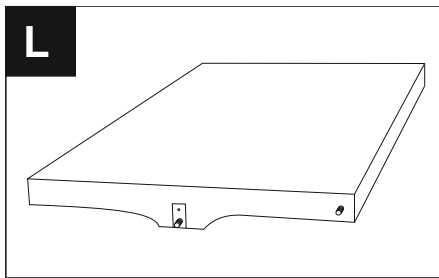
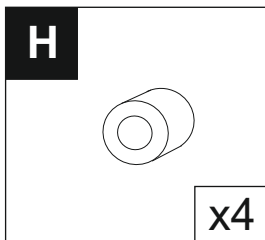


4

5

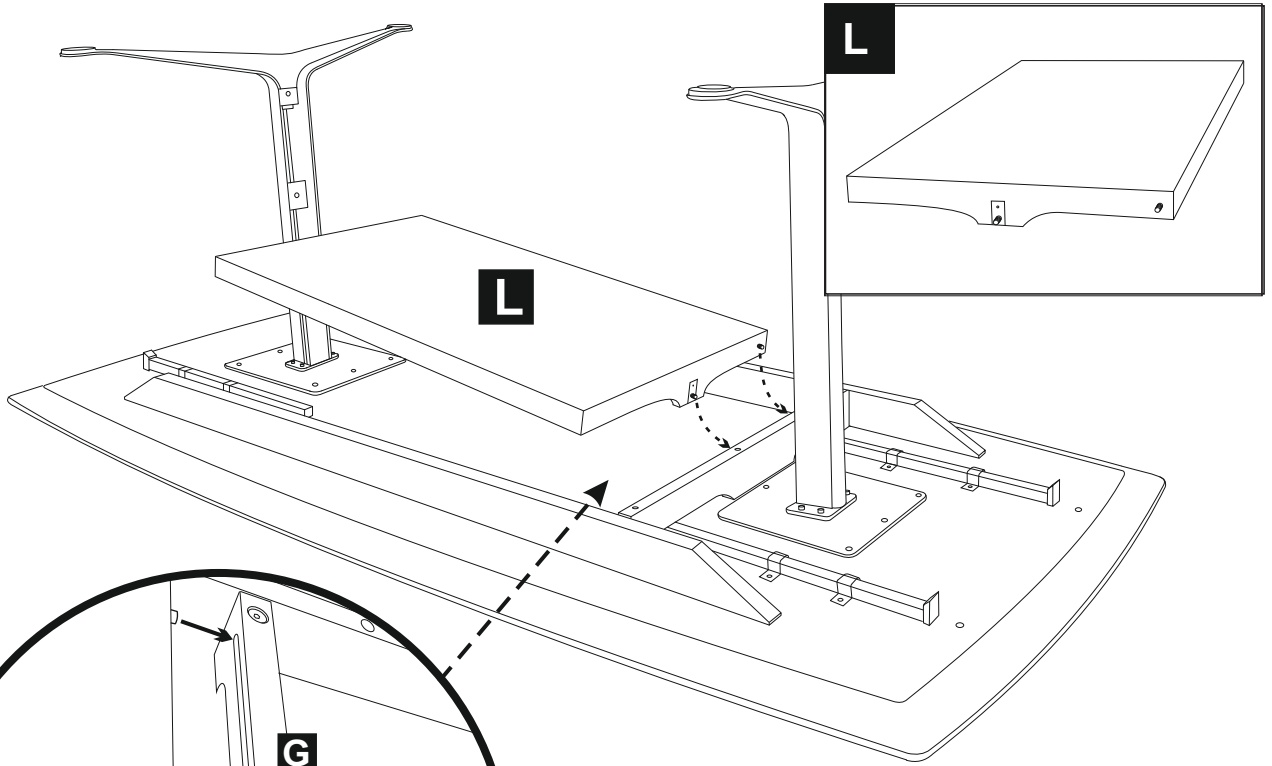


6

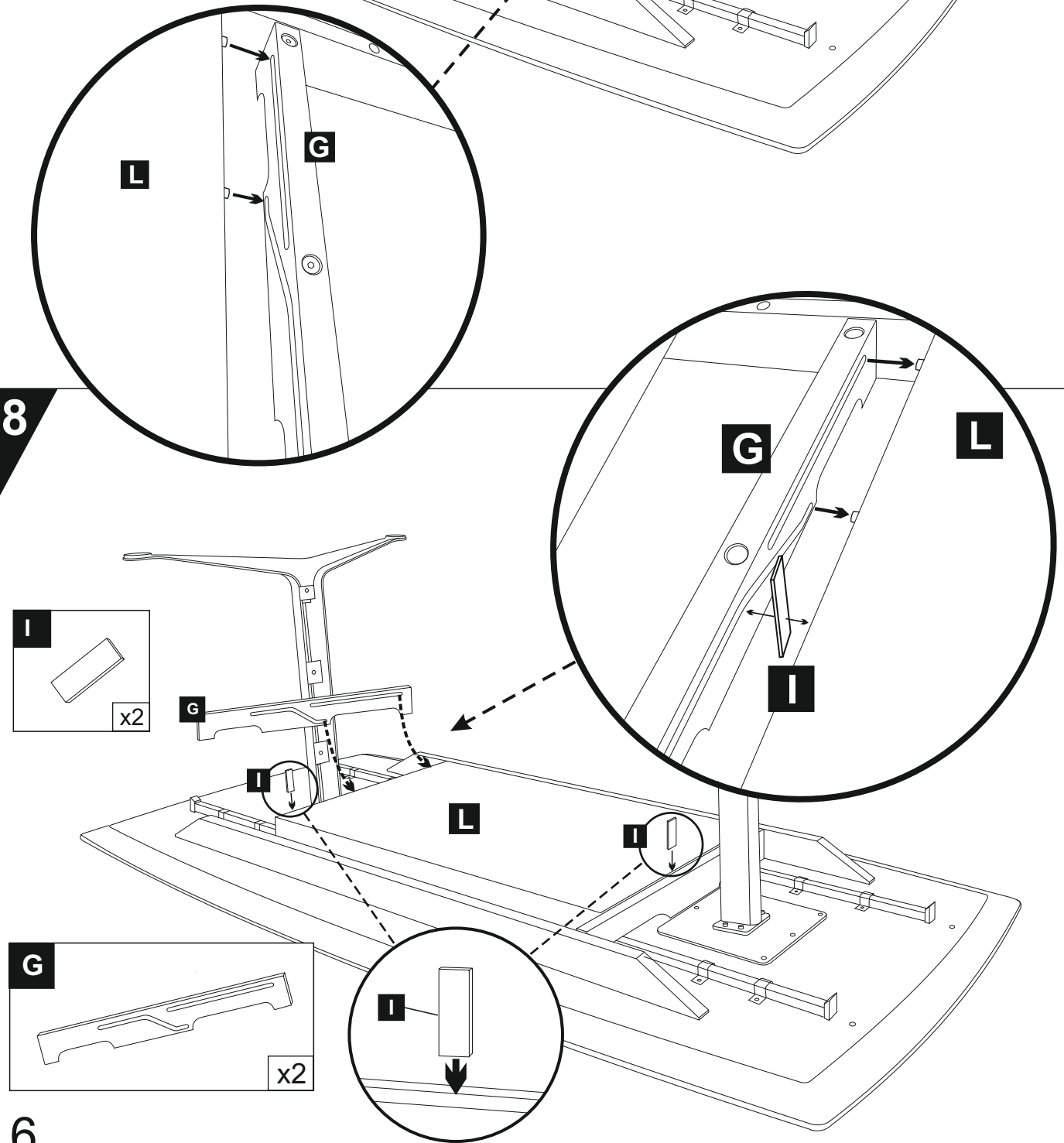


5

7

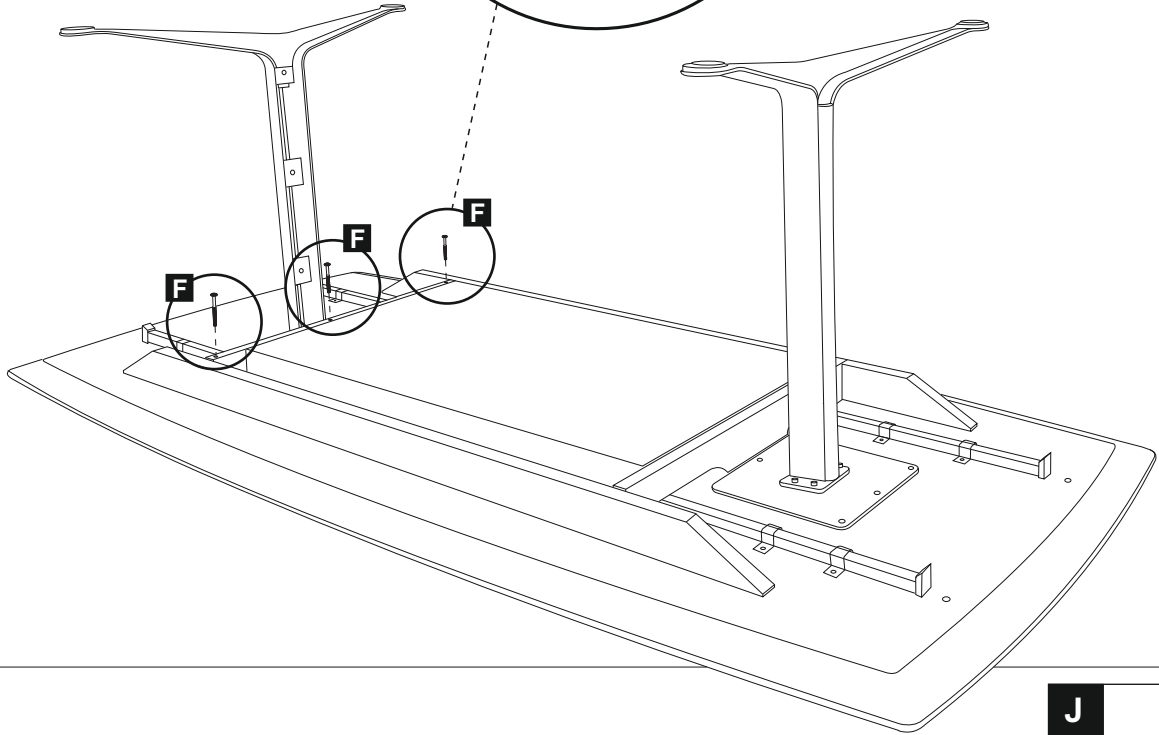
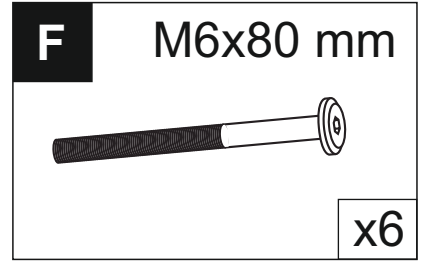
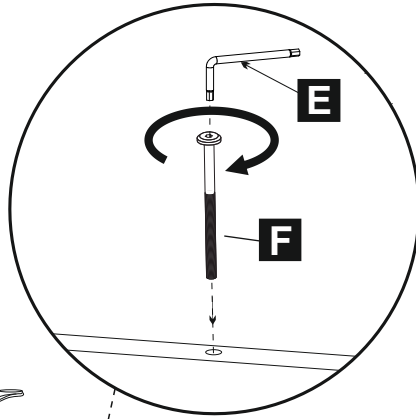
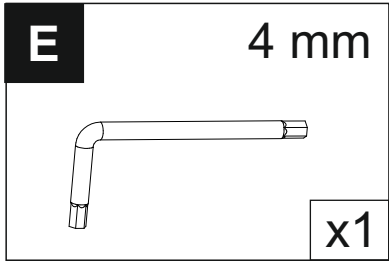


8

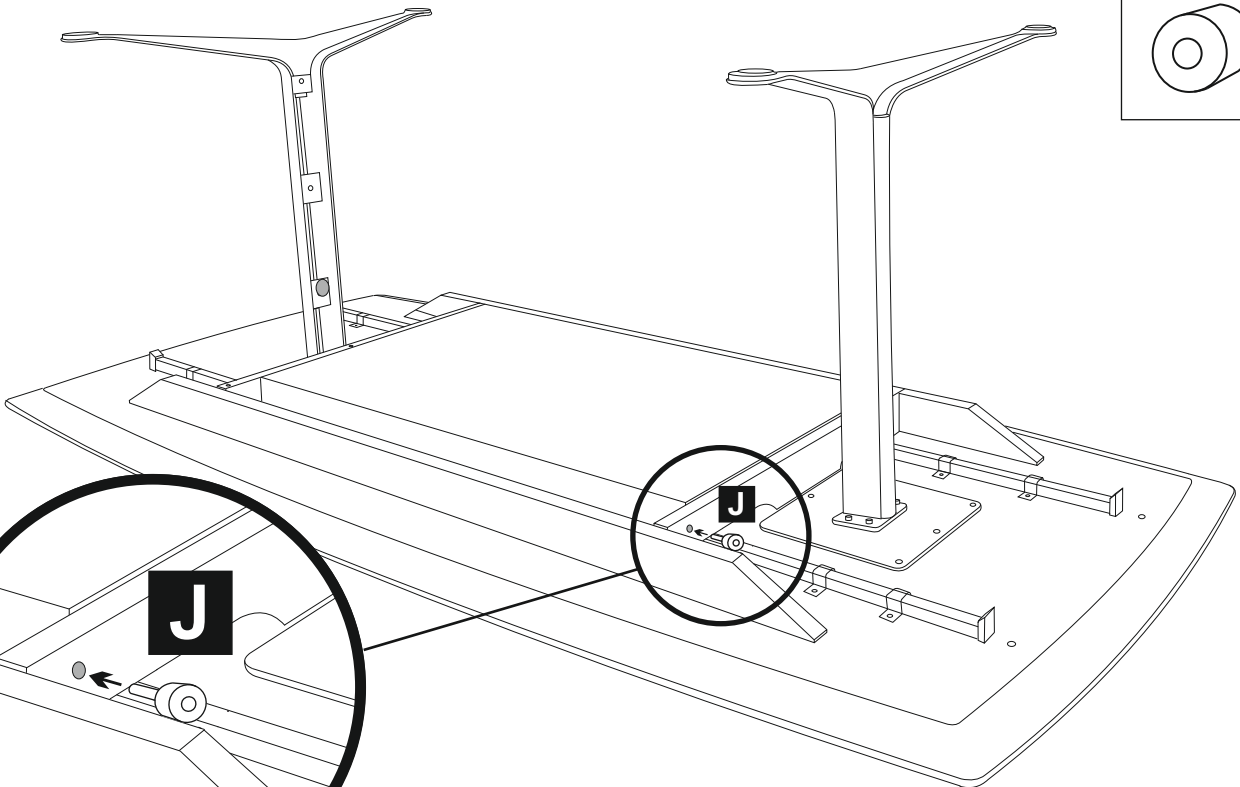
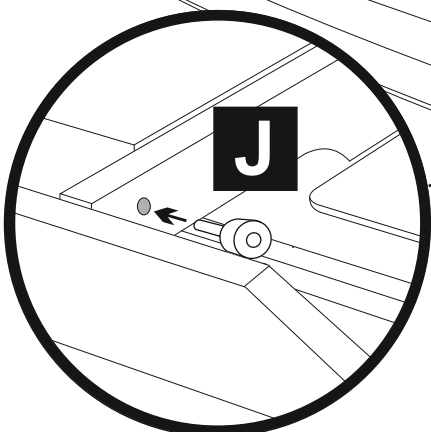
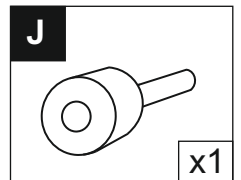


6

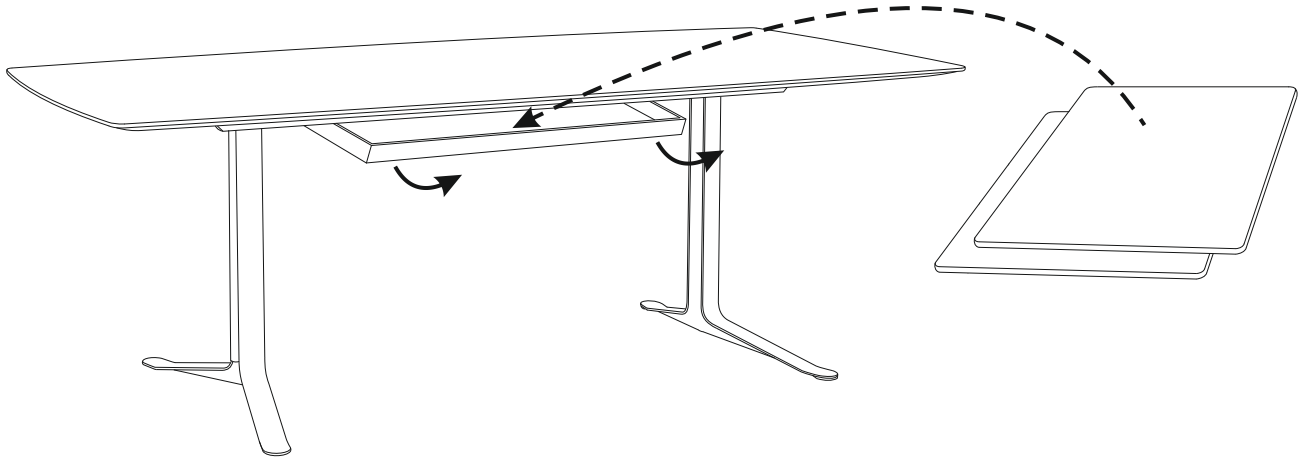
9



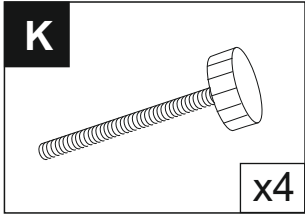
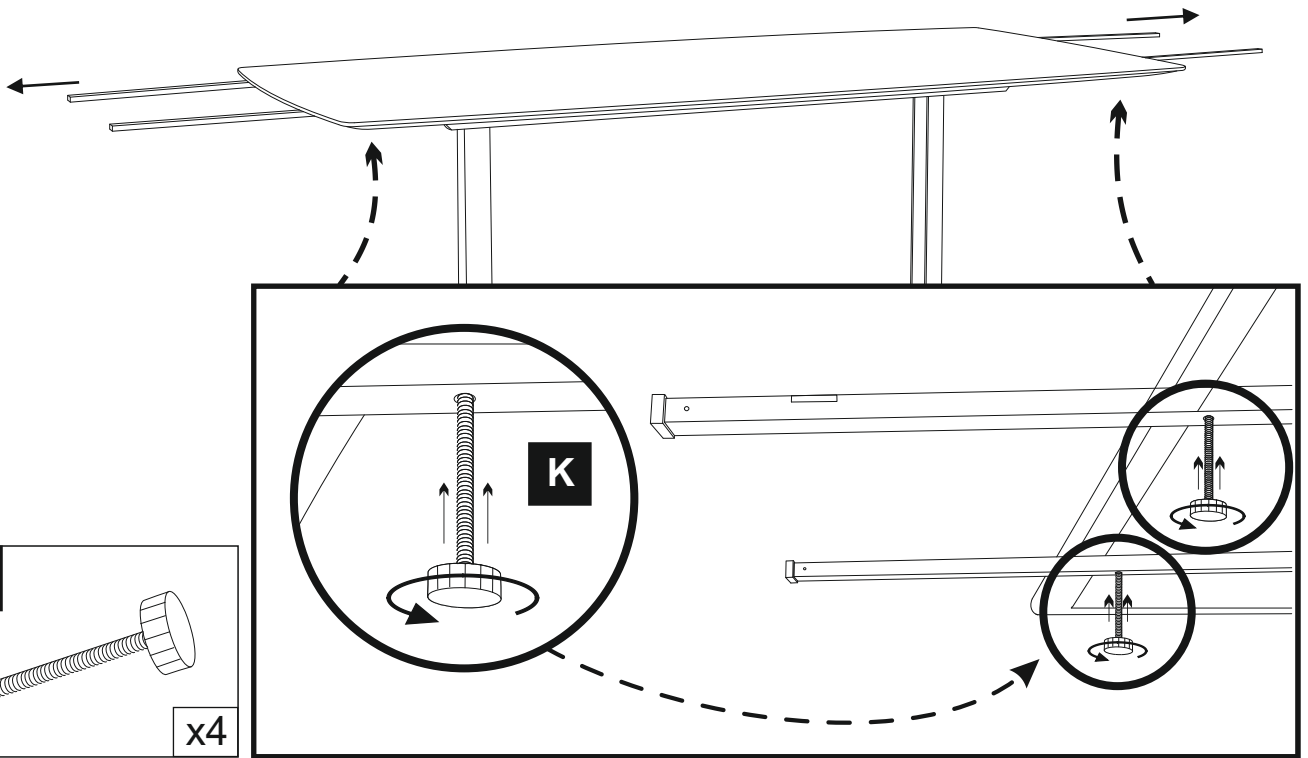
10



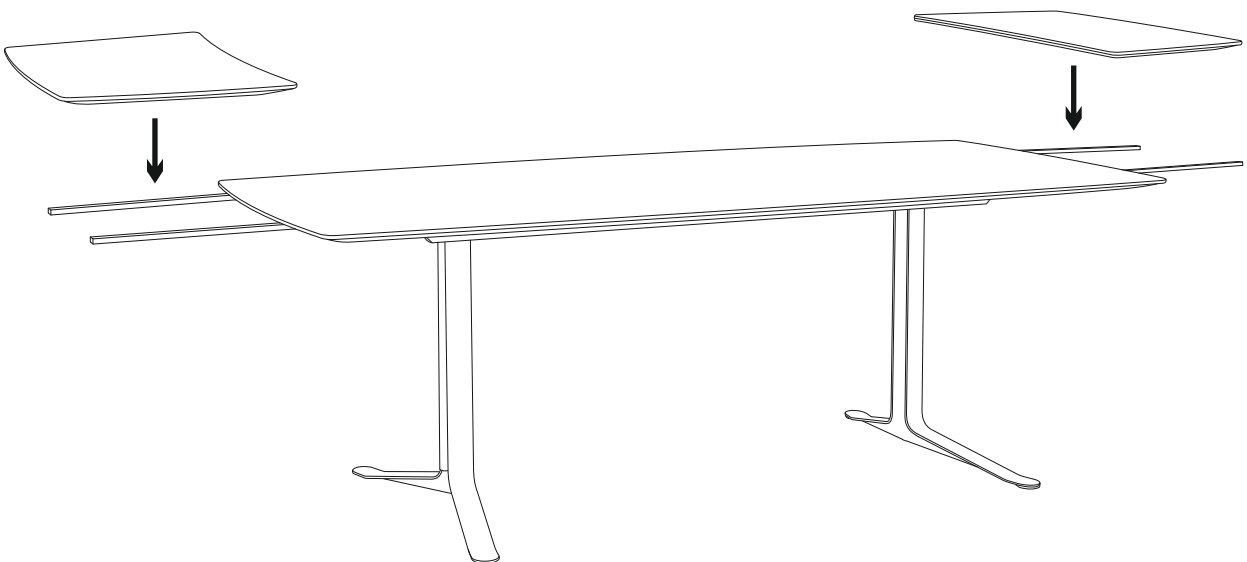
11



12



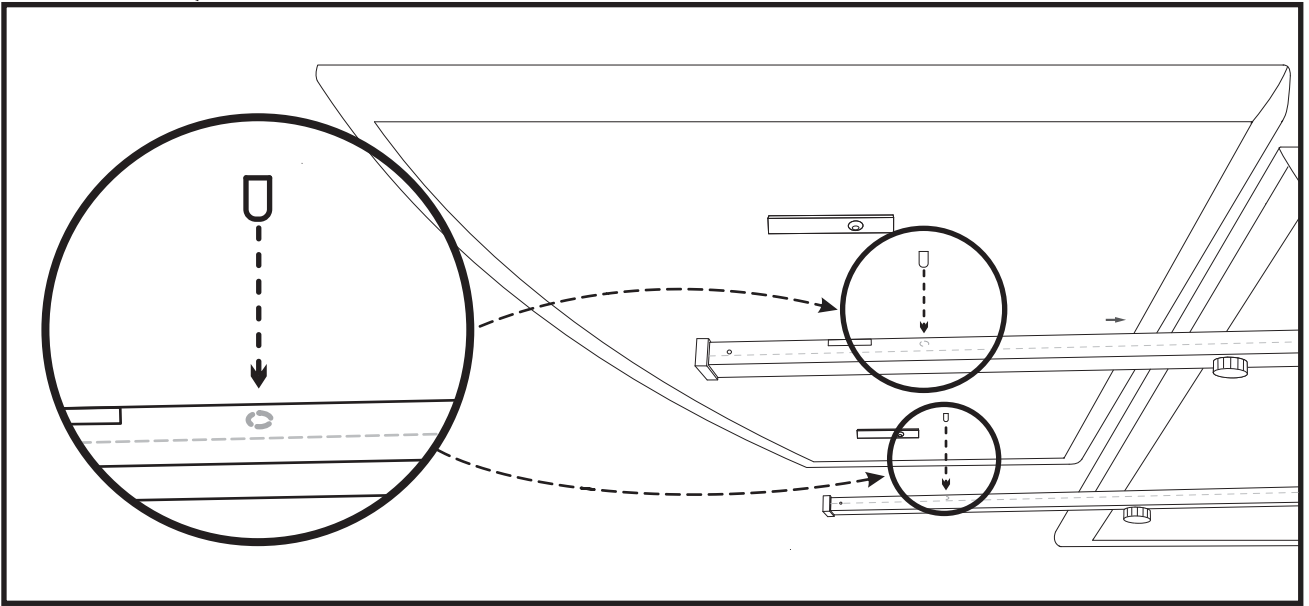
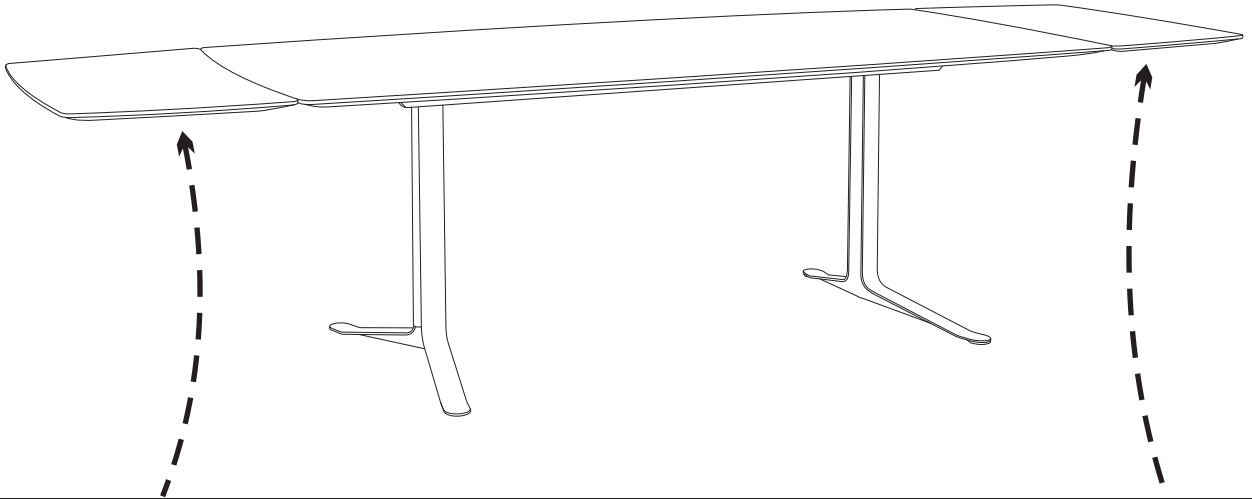
13



8



14



15

