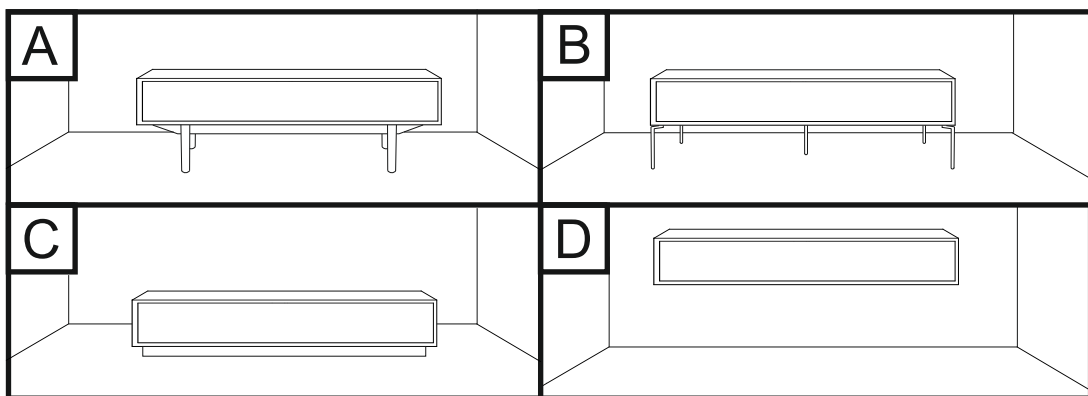
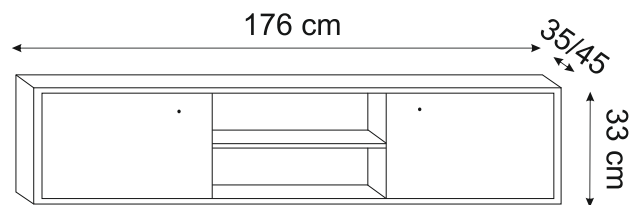
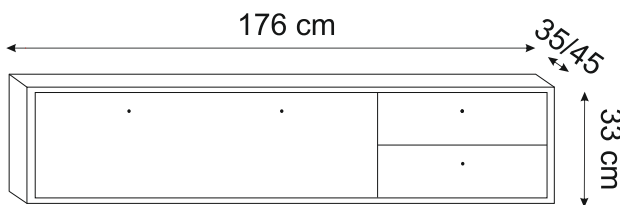
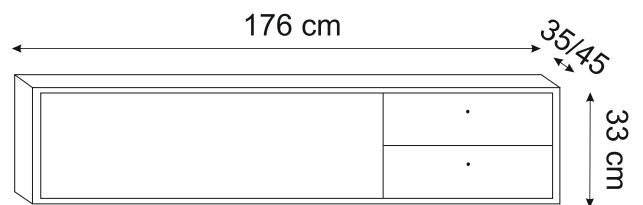
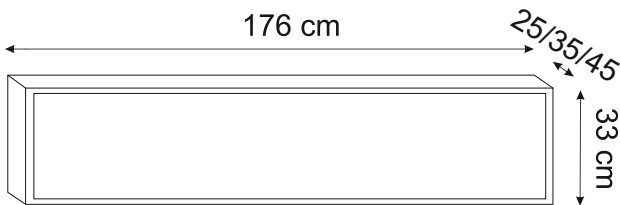
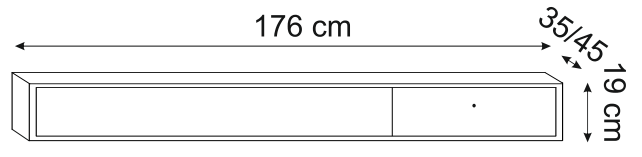
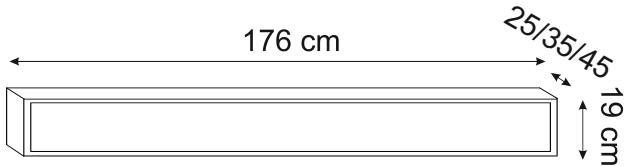
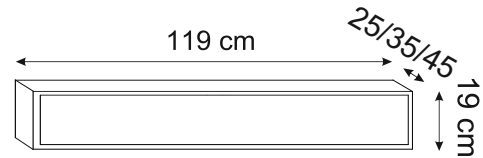
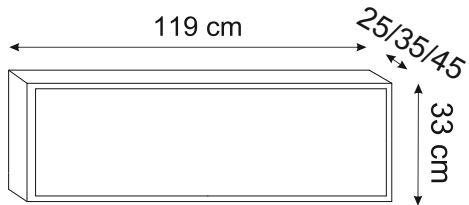
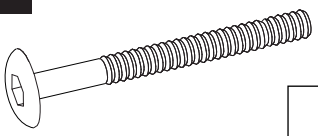


Media



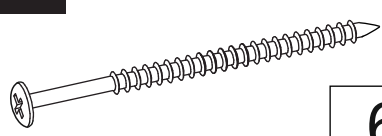
A

A M6x60 mm



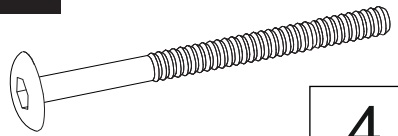
4

B 4x60mm



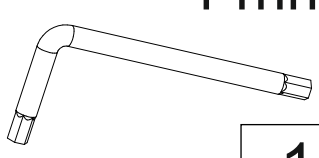
6

C M6x90 mm



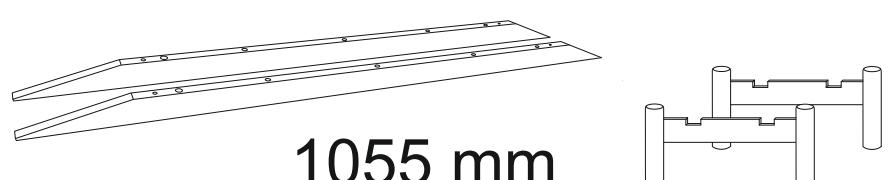
4

D 4 mm

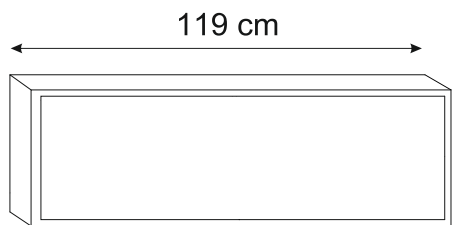
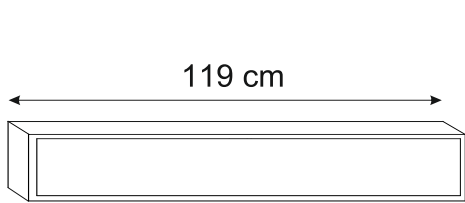


1

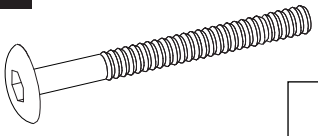
241182



1055 mm

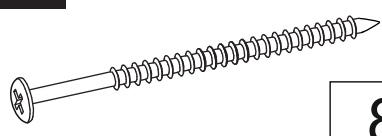


A M6x60 mm



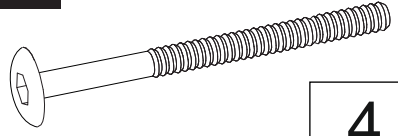
4

B 4x60mm



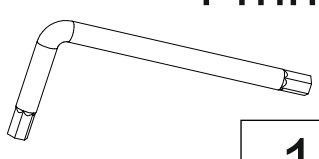
8

C M6x90 mm



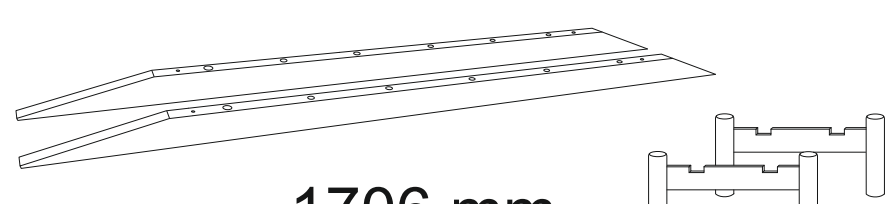
4

D 4 mm

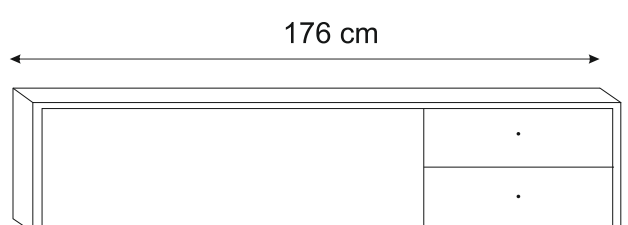
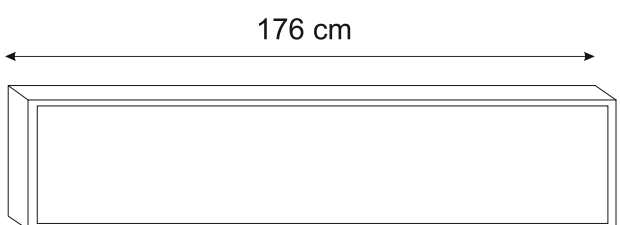
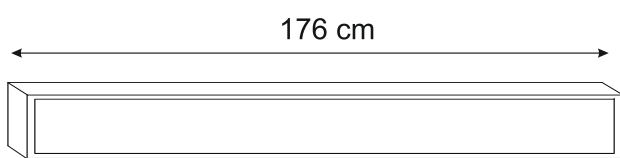


1

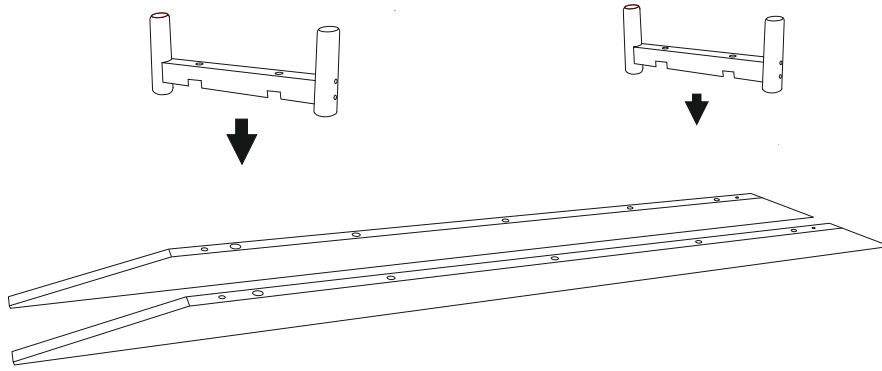
241182



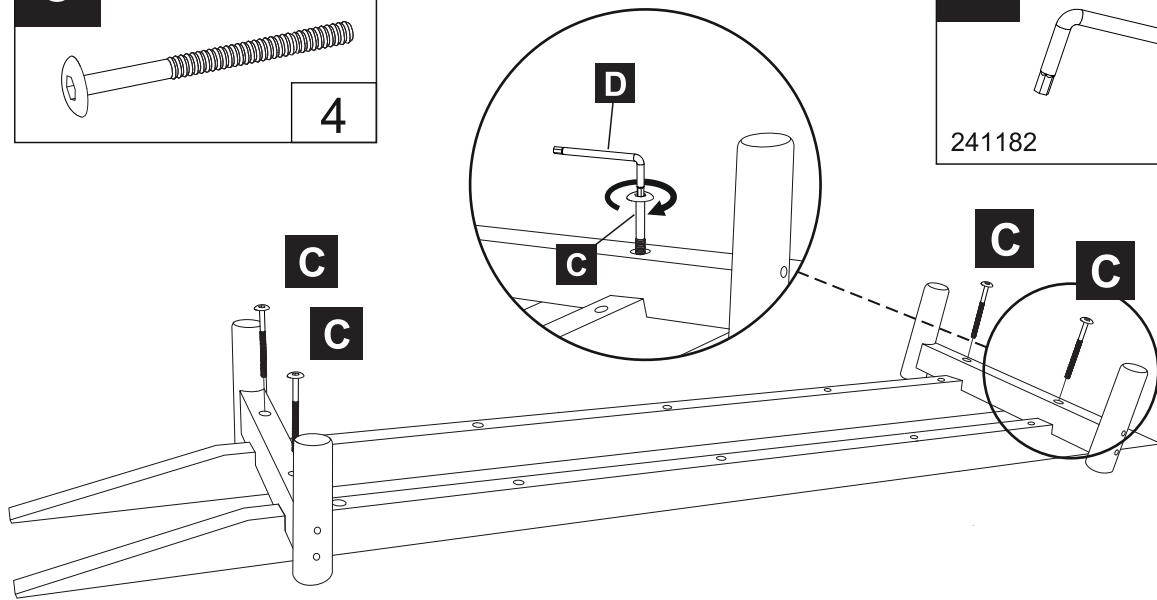
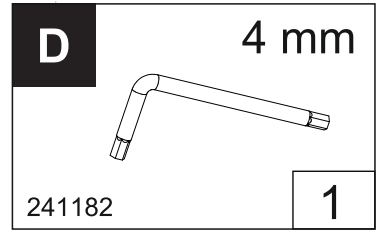
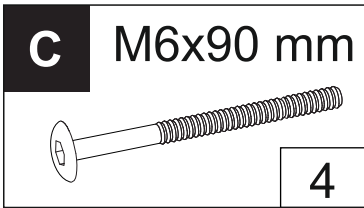
1706 mm



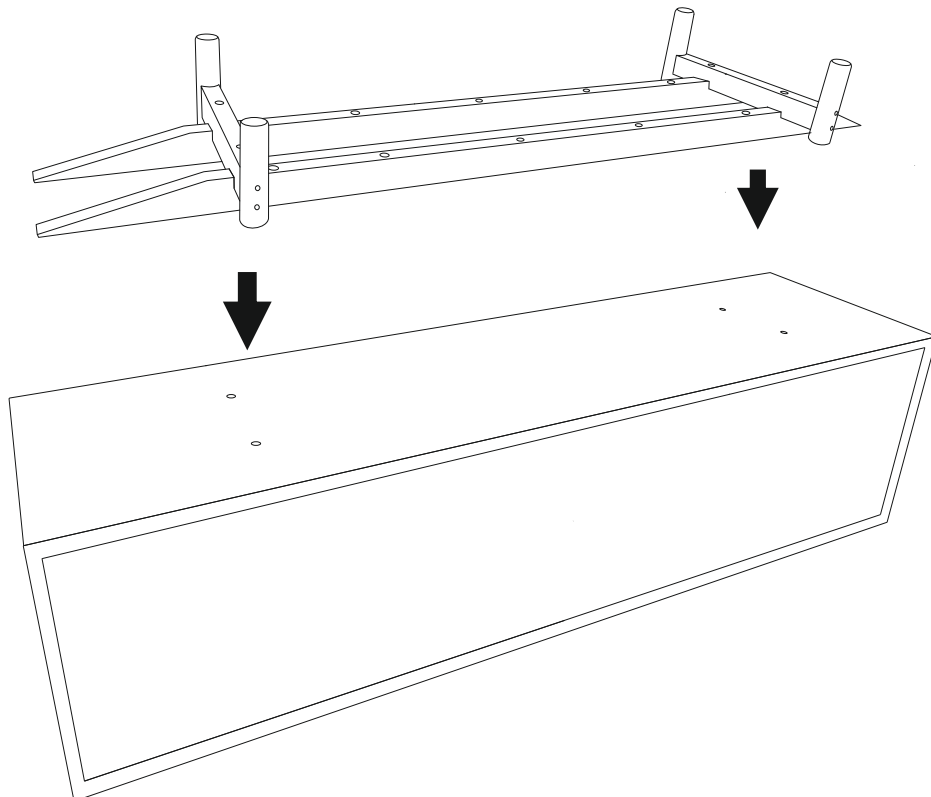
1



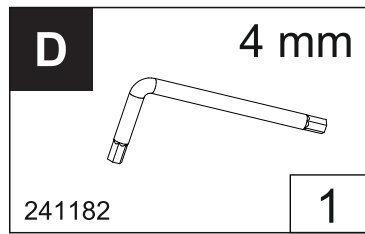
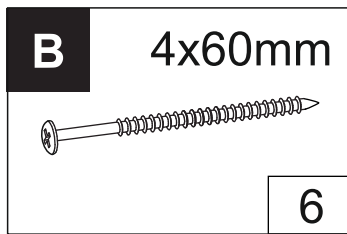
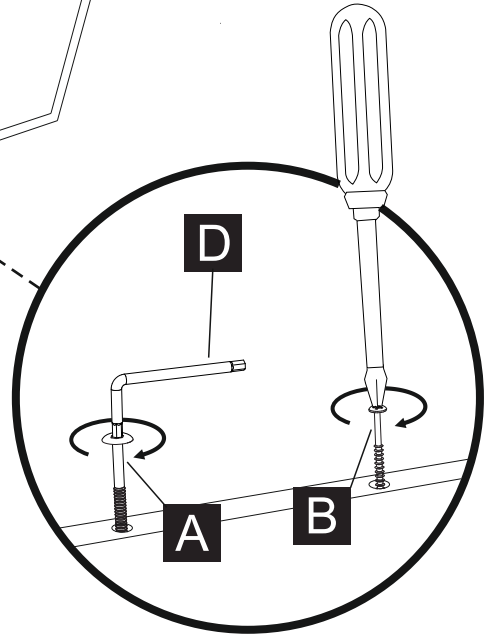
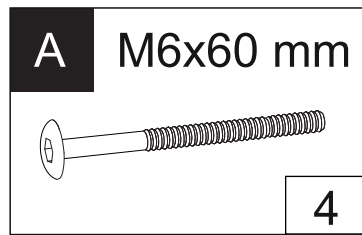
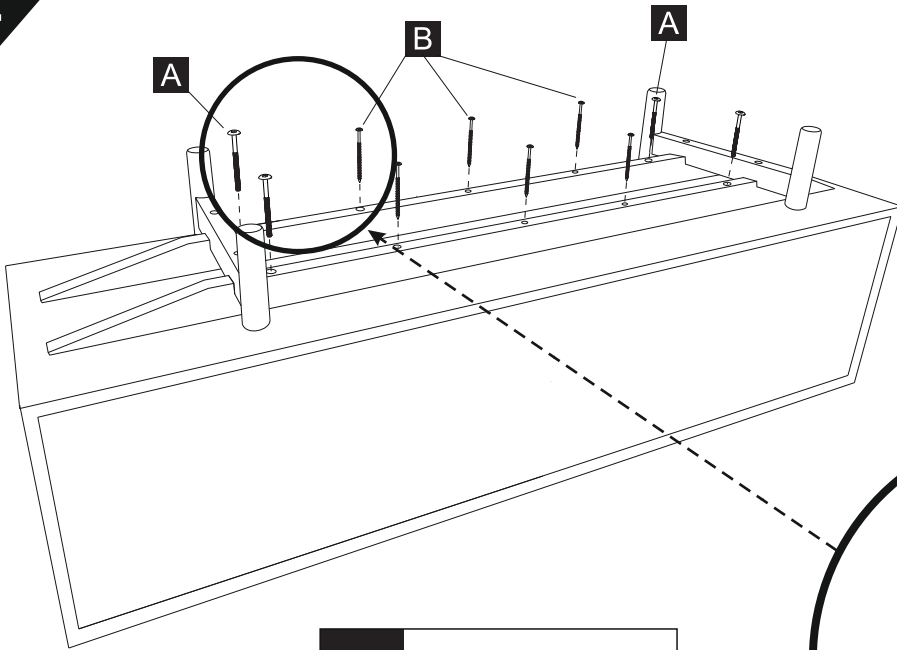
2



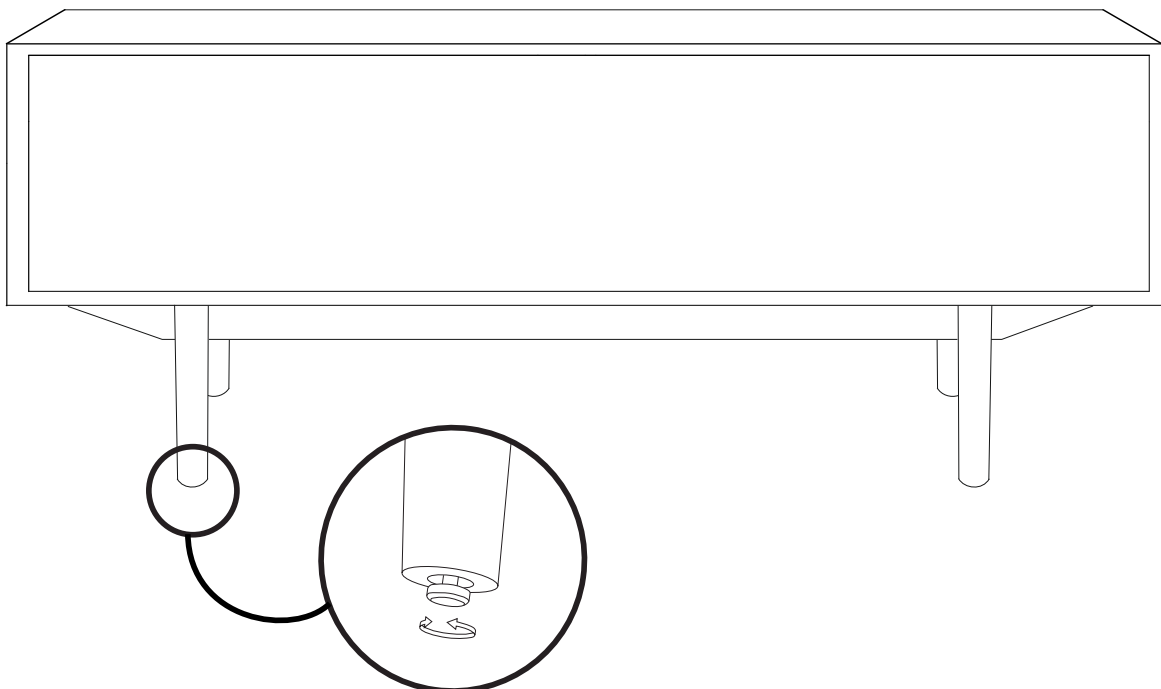
3



4



5

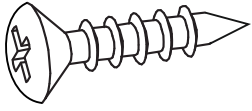


4

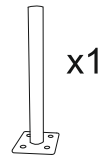
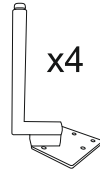
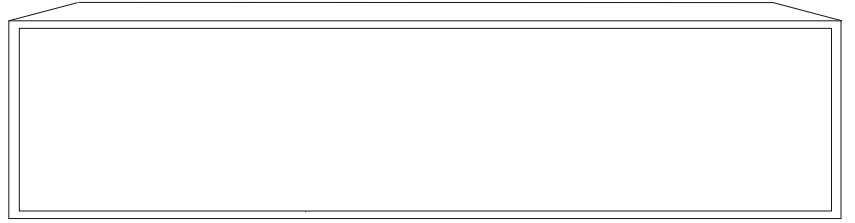
B

E

4 x 16 mm



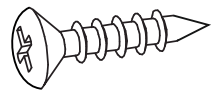
24



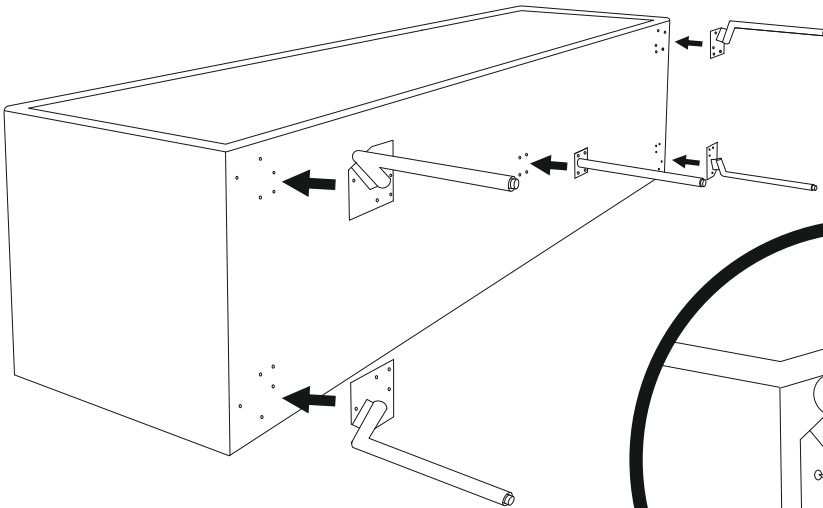
1

E

4 x 16 mm

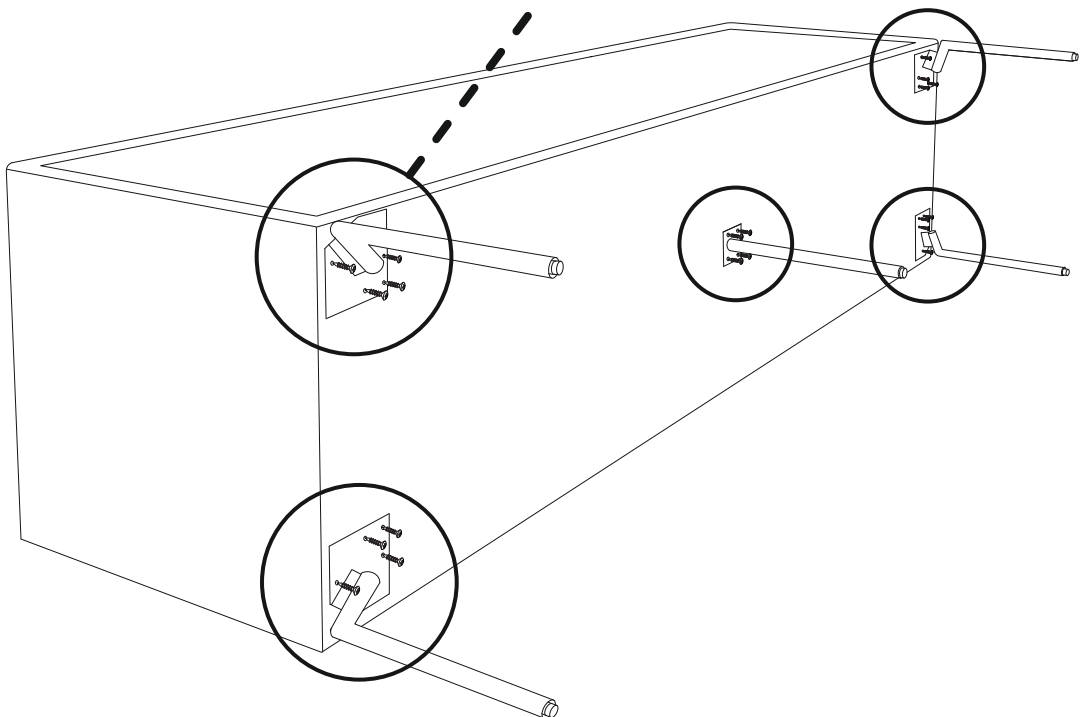
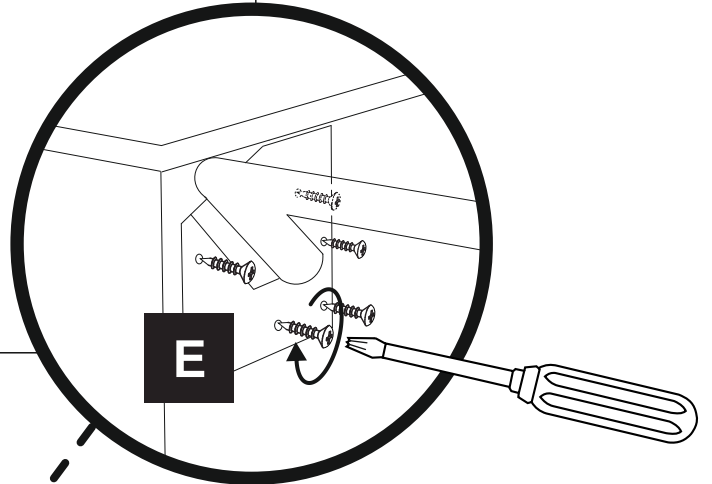


24

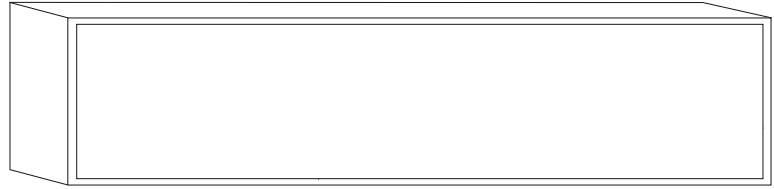


2

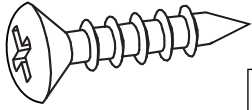
E



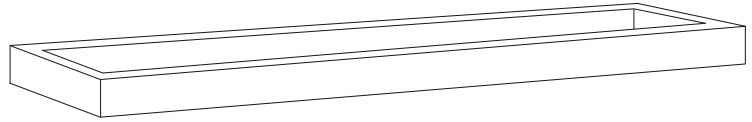
C



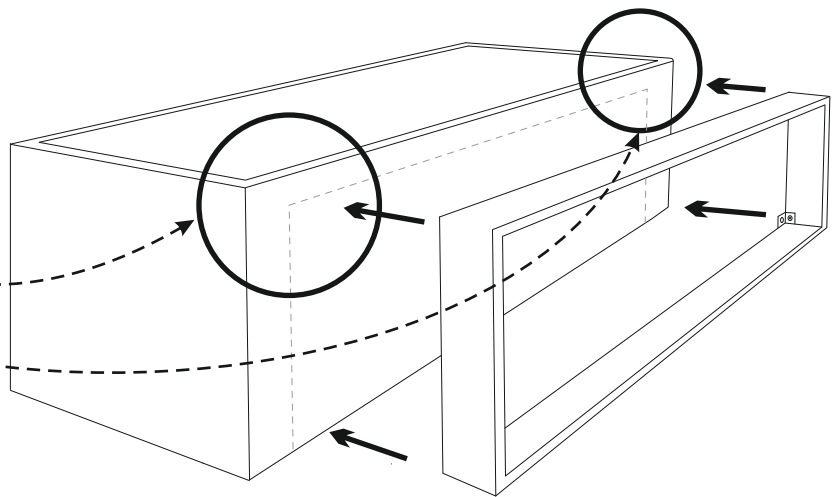
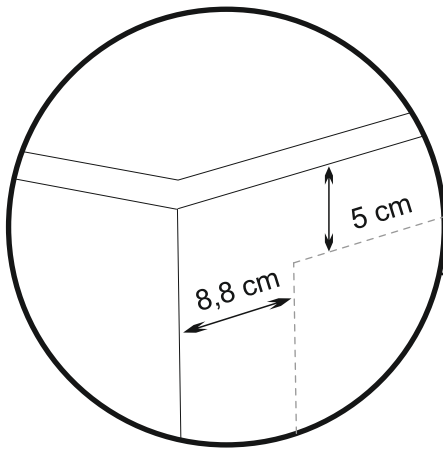
F 3,5 x 13 mm



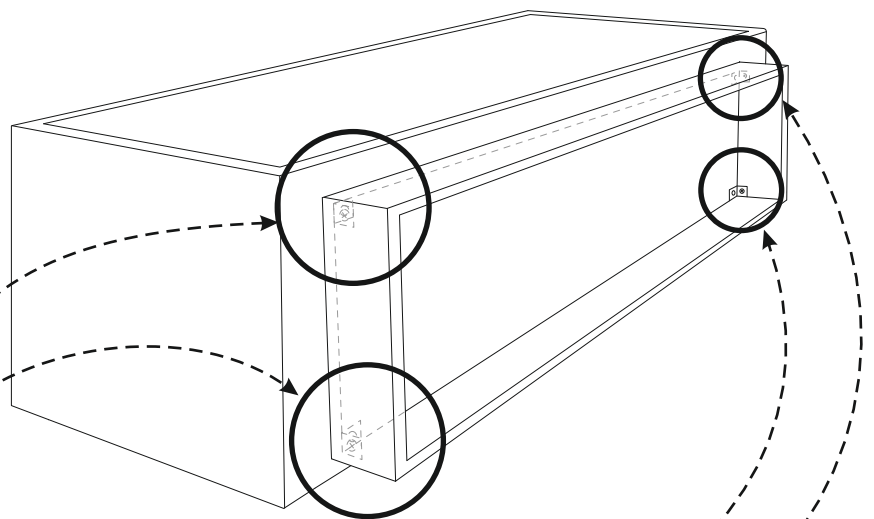
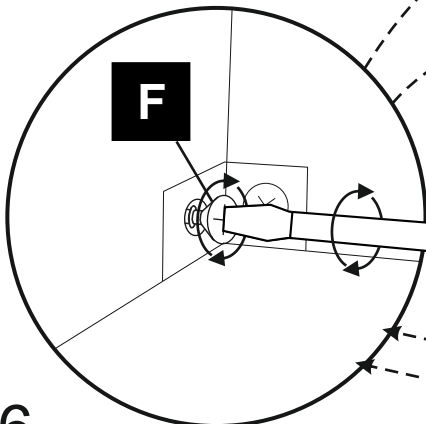
4



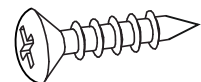
1



2



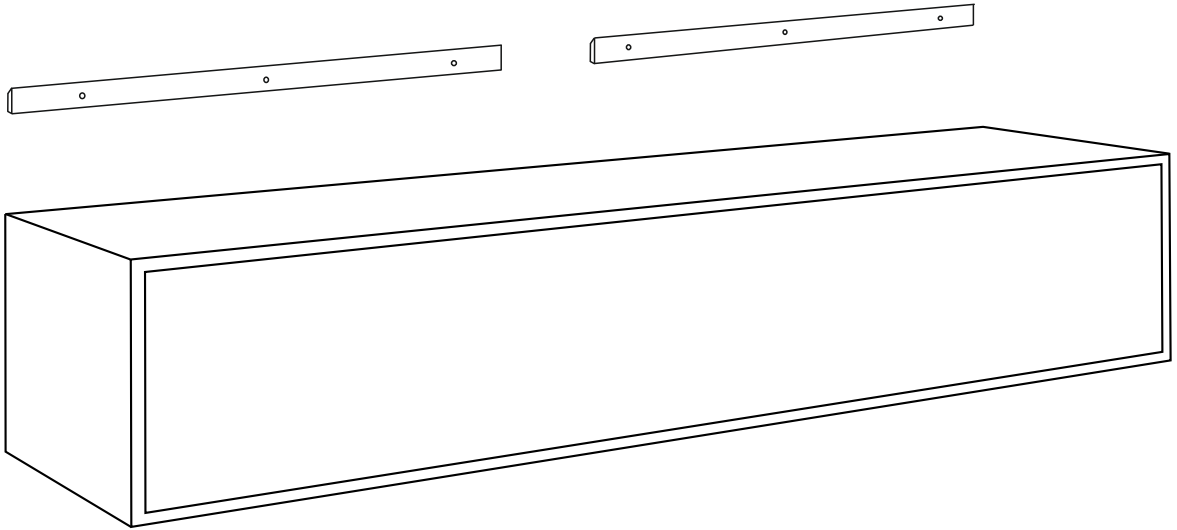
F 3,5 x 13 mm



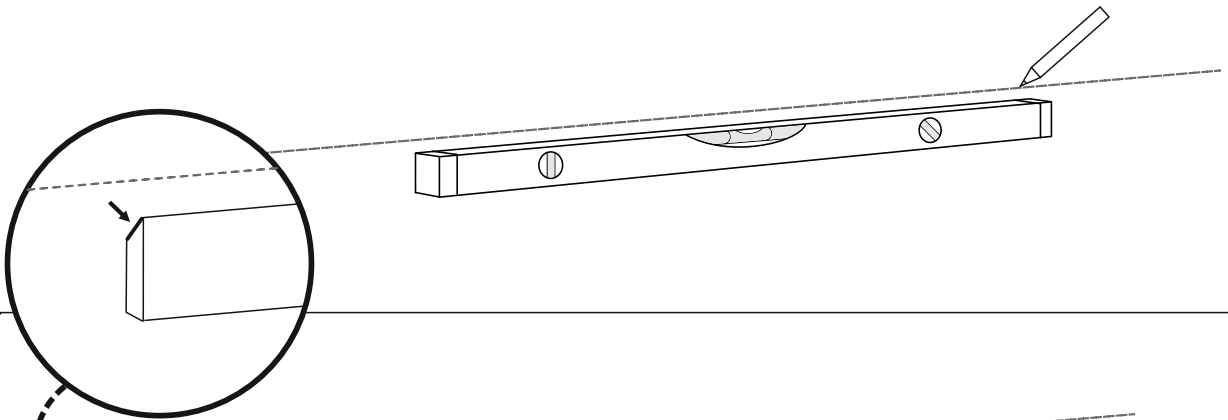
4

6

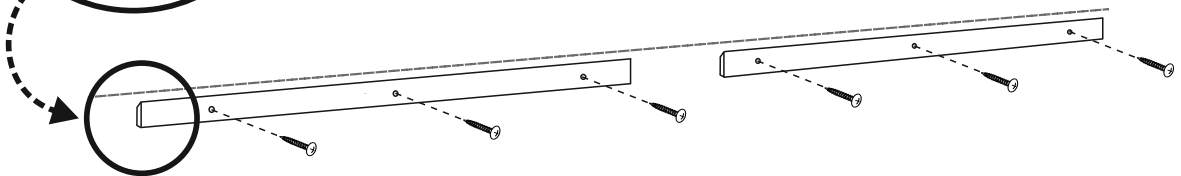
D



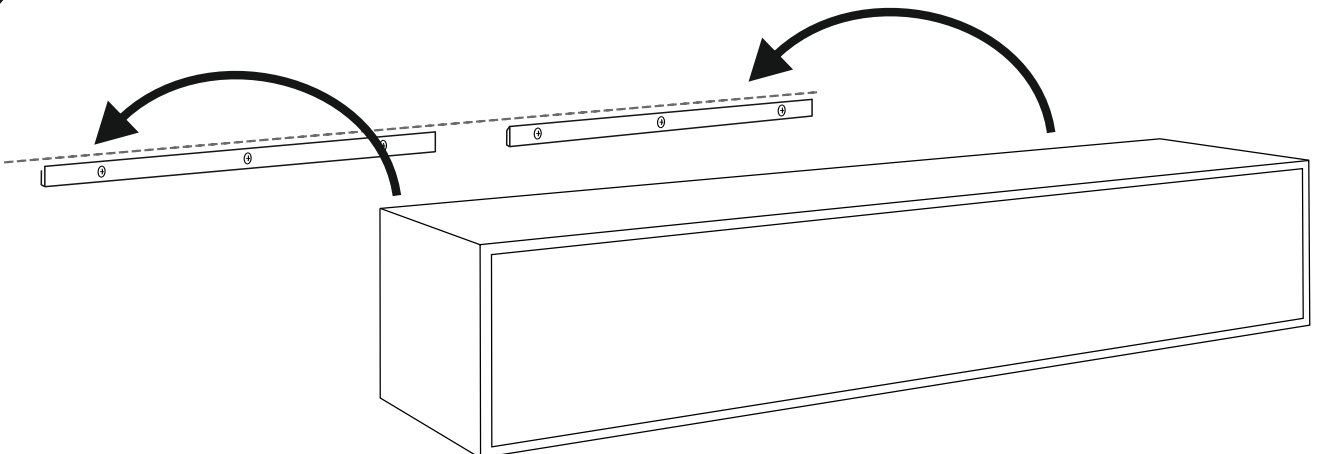
1



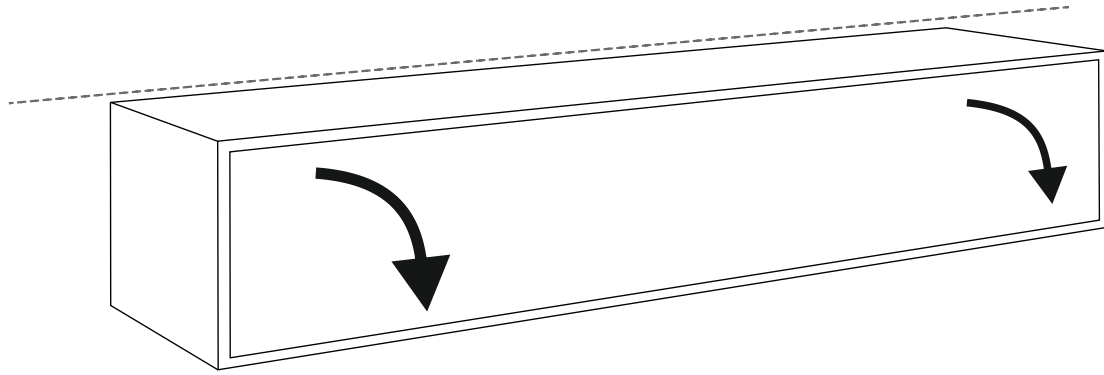
2



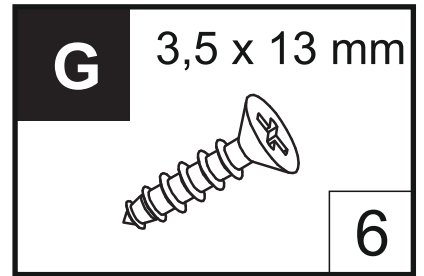
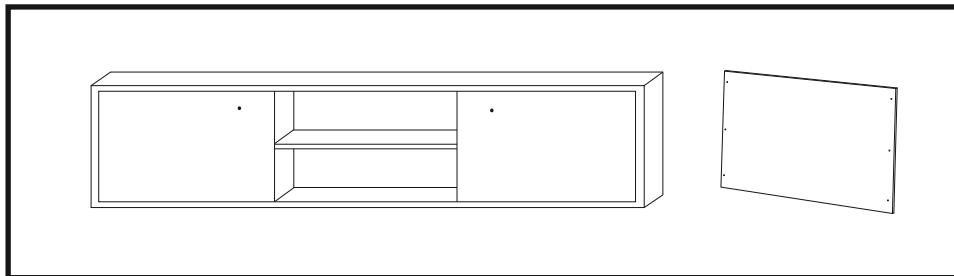
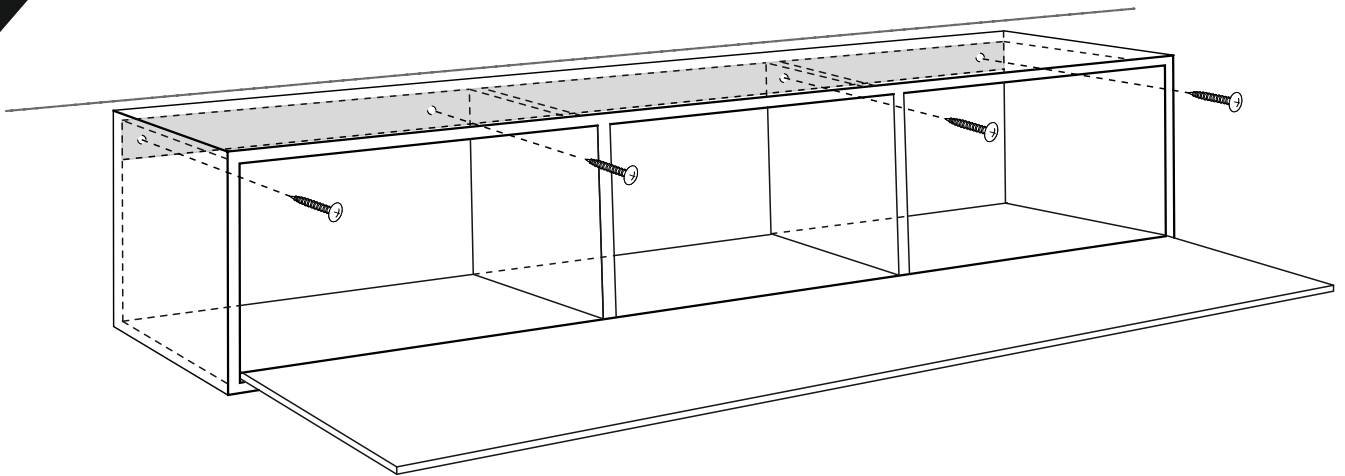
3



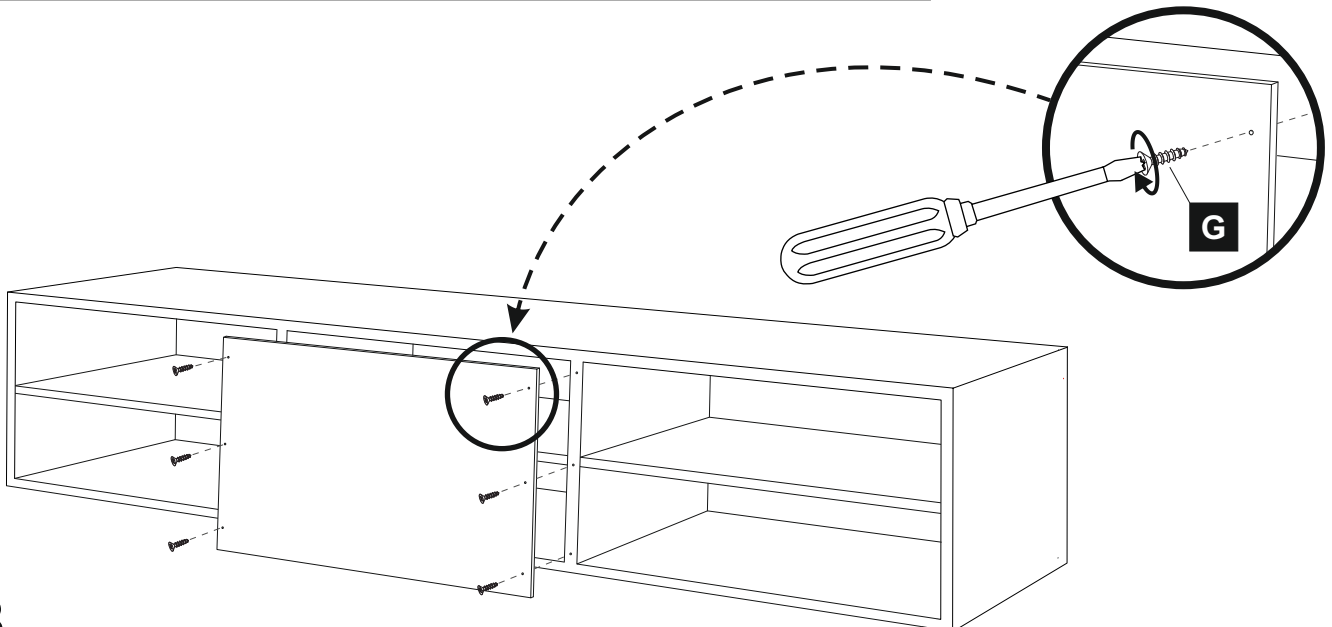
4



5



6



8

