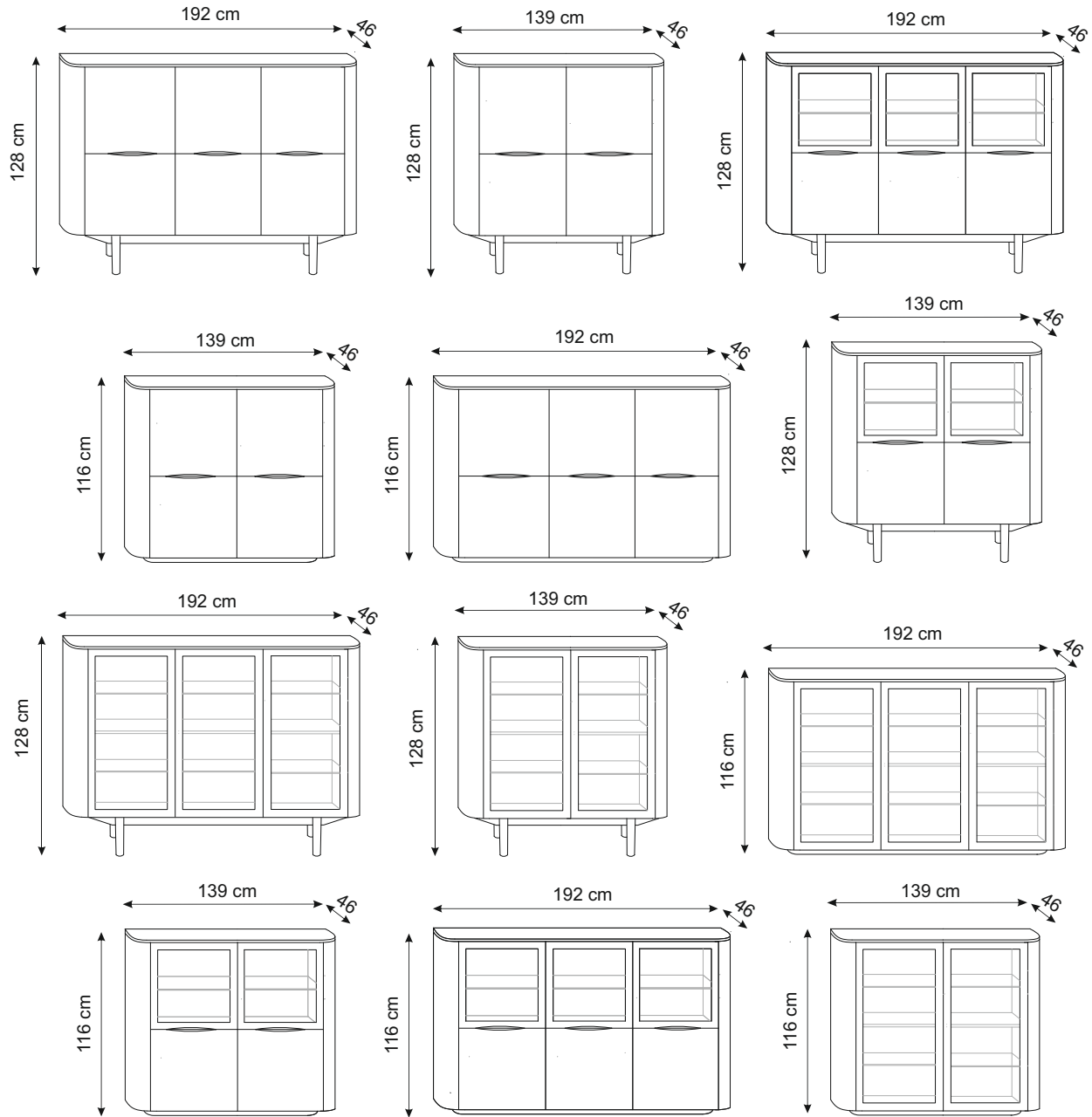
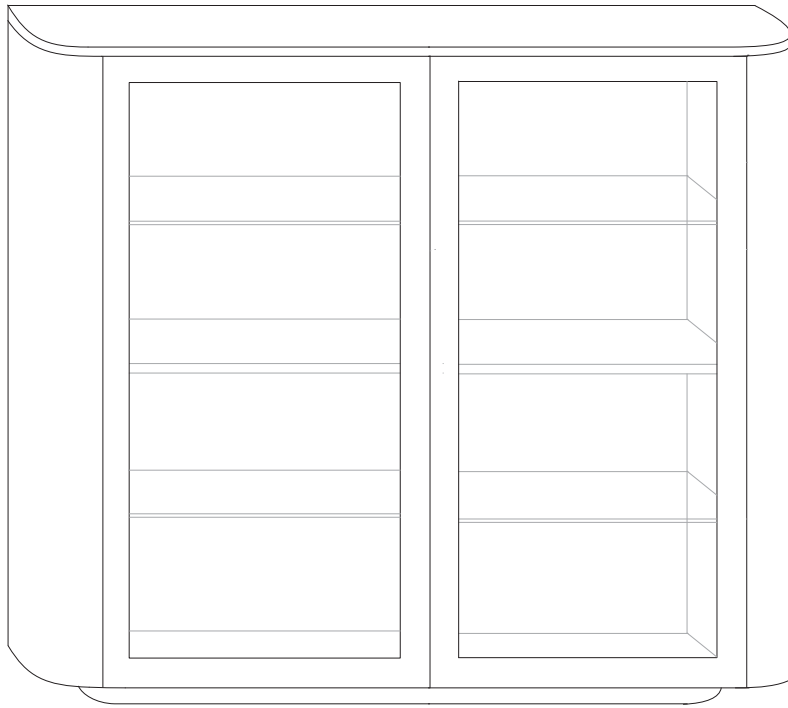


# Malli / Collum

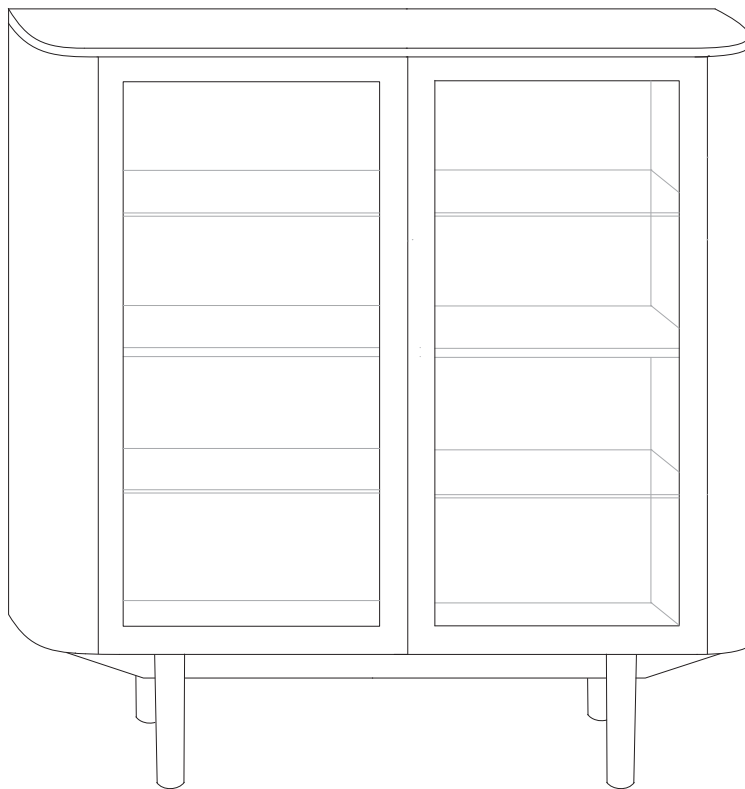


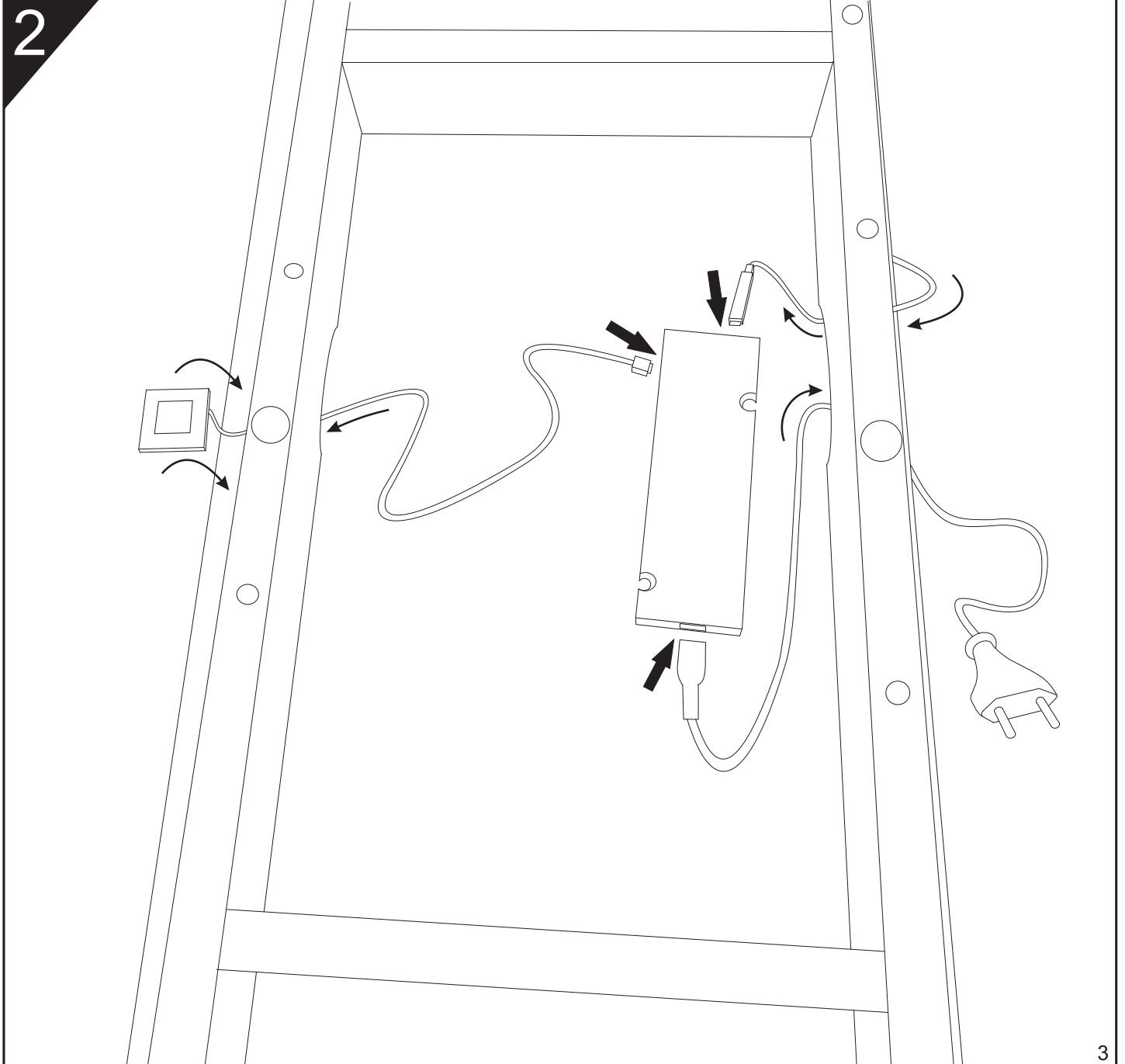
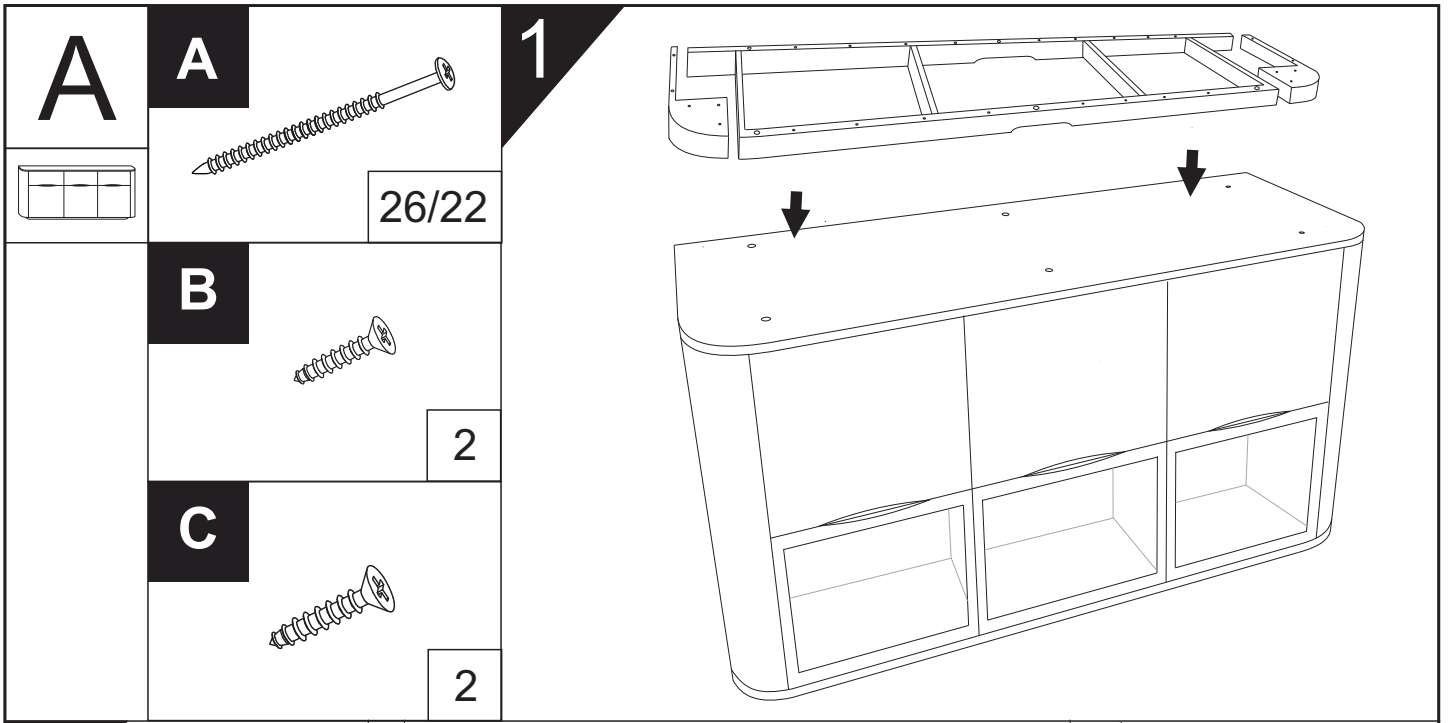
**PBJ**  
DESIGNHOUSE  
1968

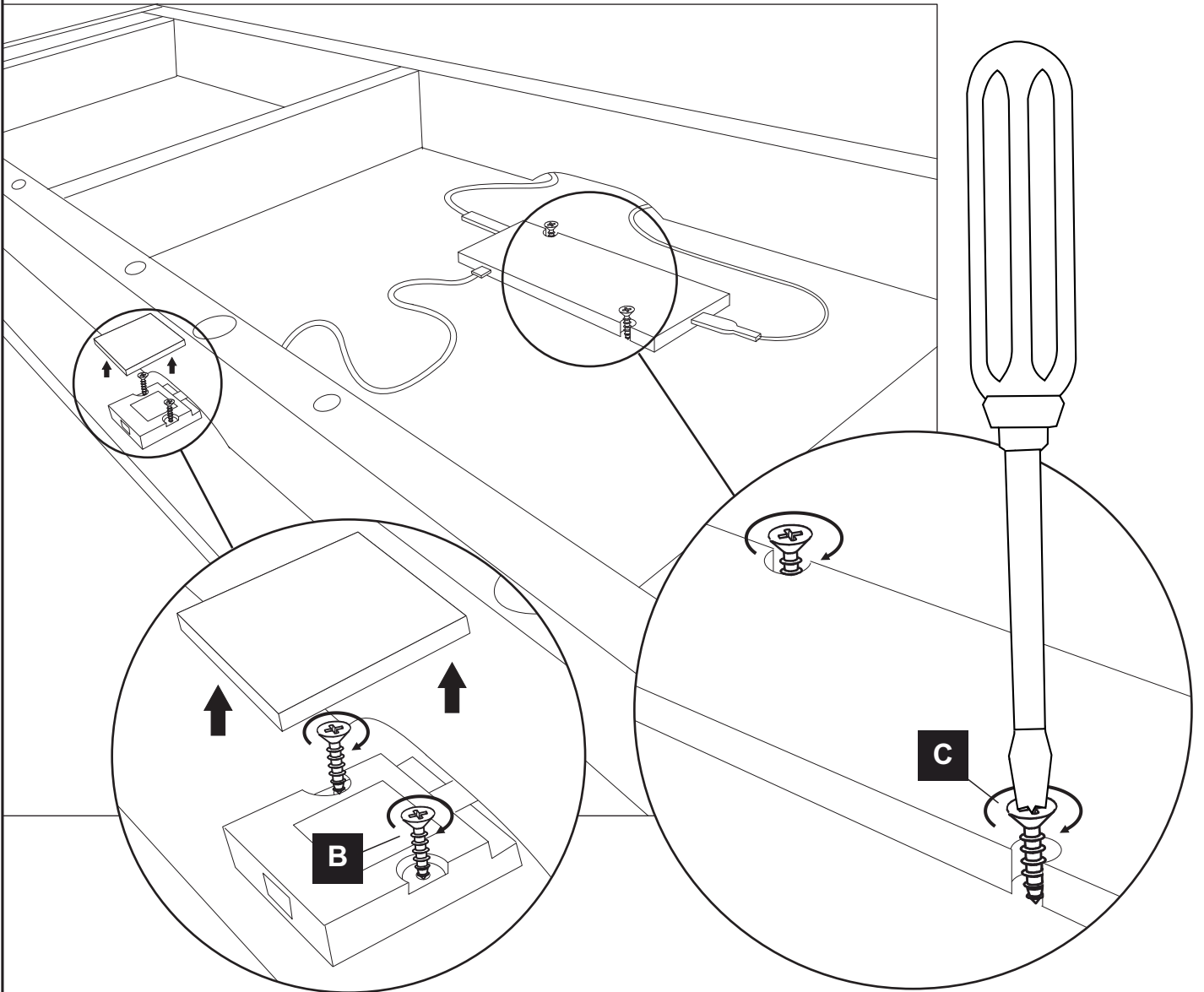
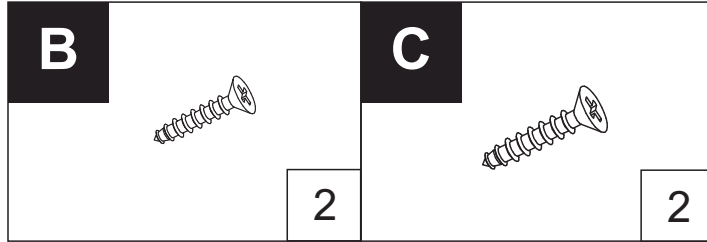
**A**



**B**

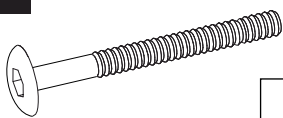






**B****A**

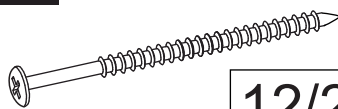
M6x60 mm



4

**B**

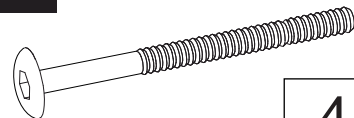
5x60 mm



12/20

**C**

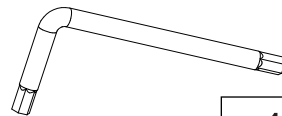
M6x90 mm



4

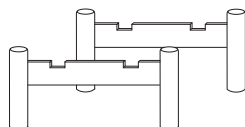
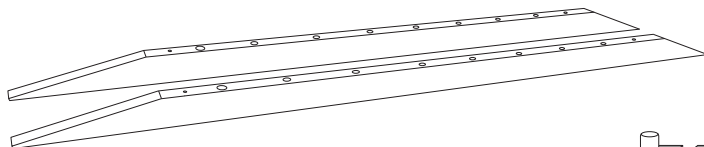
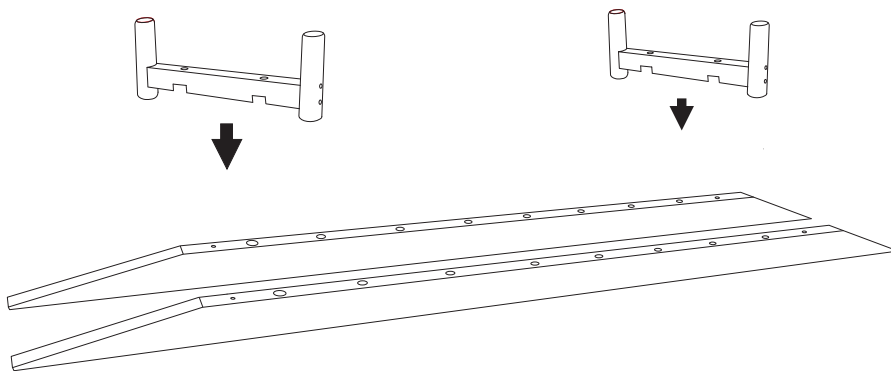
**D**

4 mm

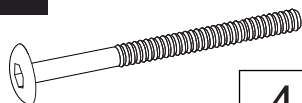


241182

1

**1****2****C**

M6x90 mm



4

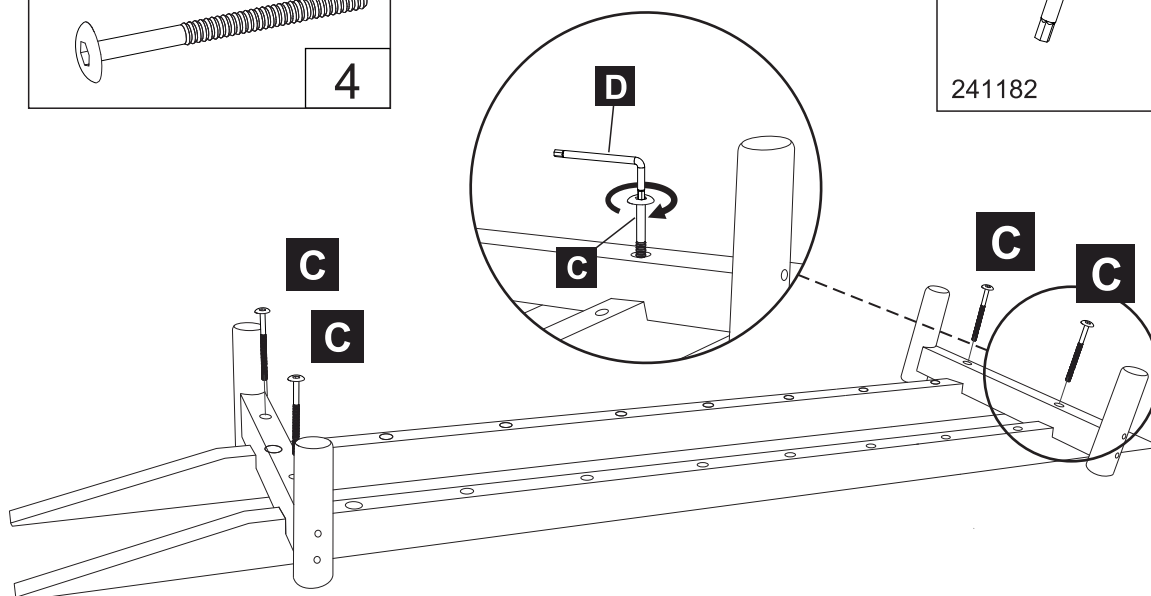
**D**

4 mm

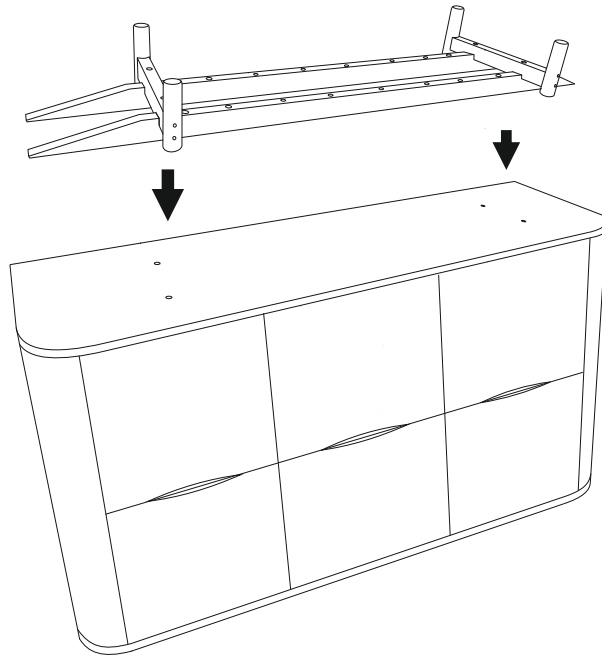


241182

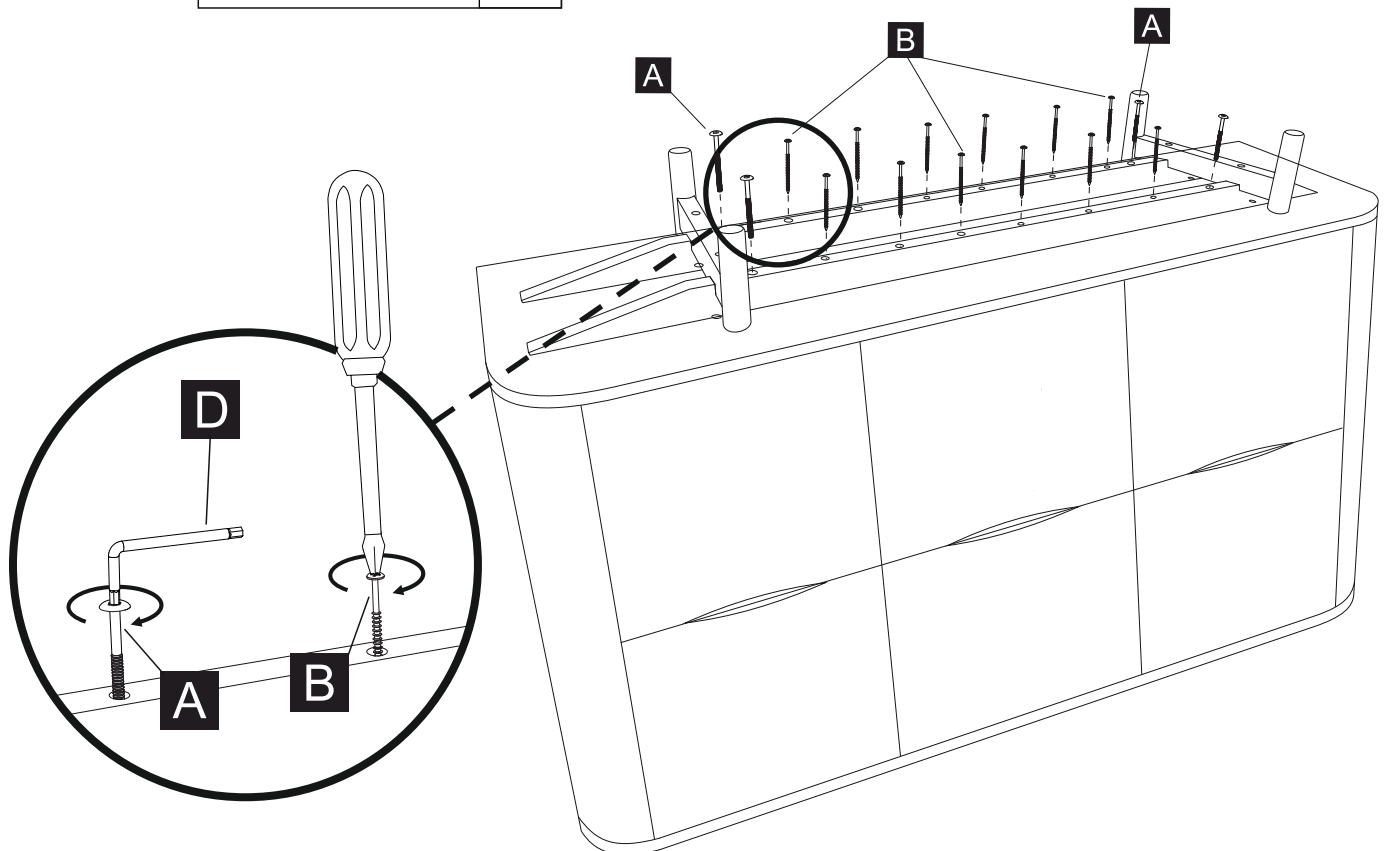
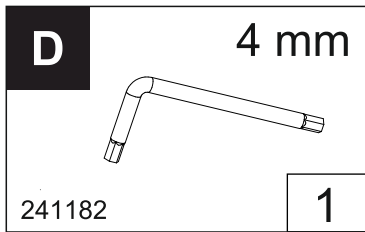
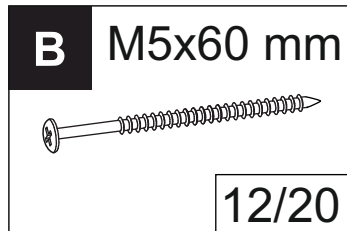
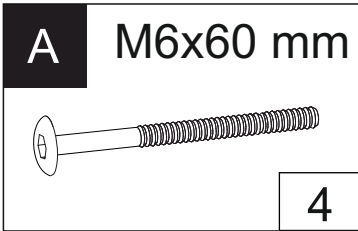
1



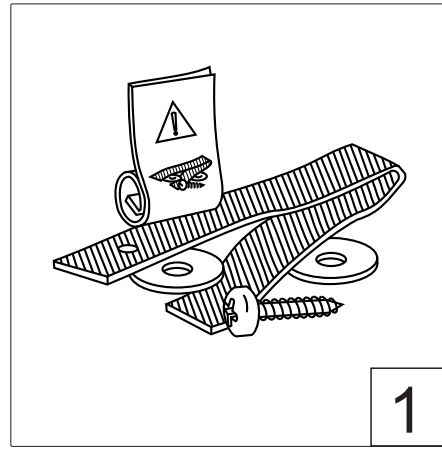
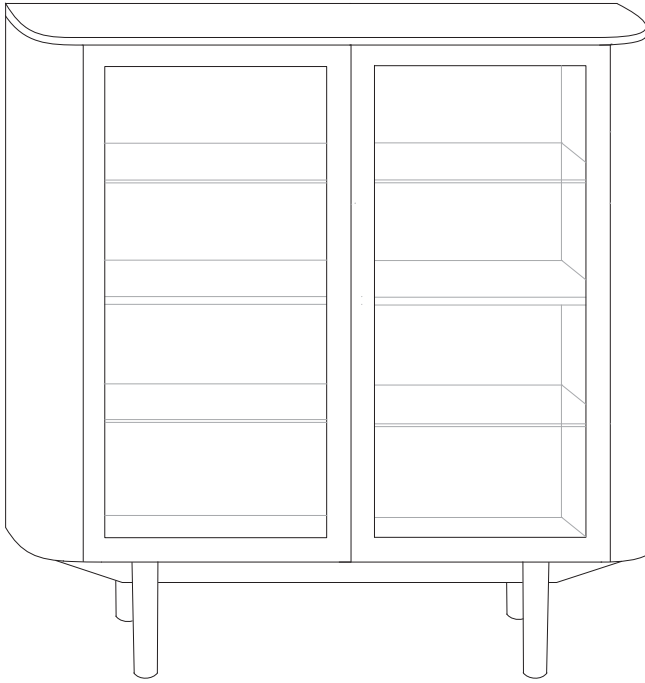
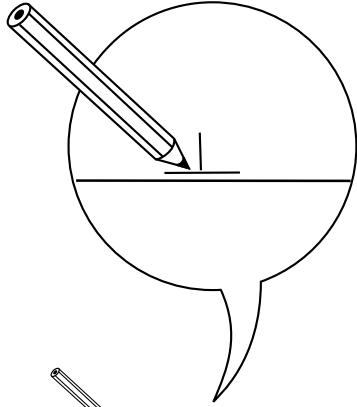
3



4

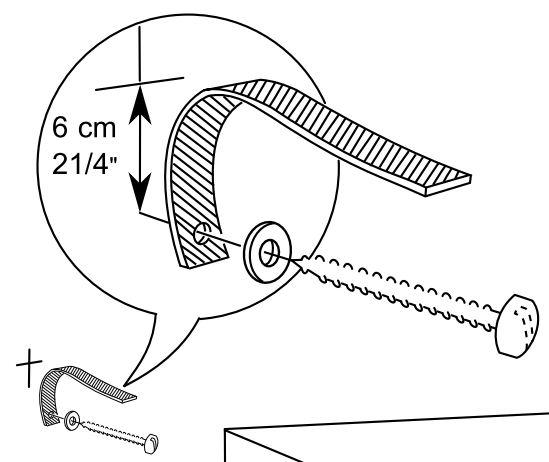


5

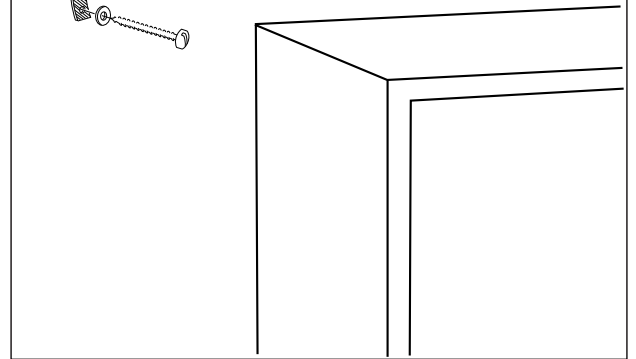
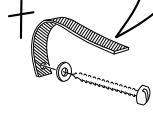


1

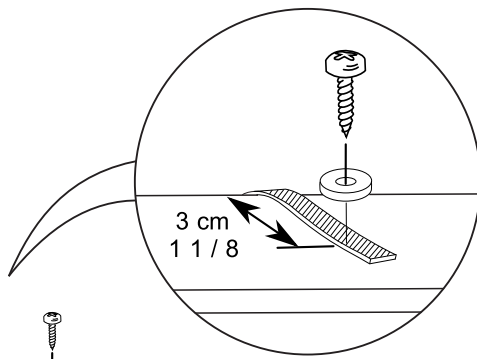
6



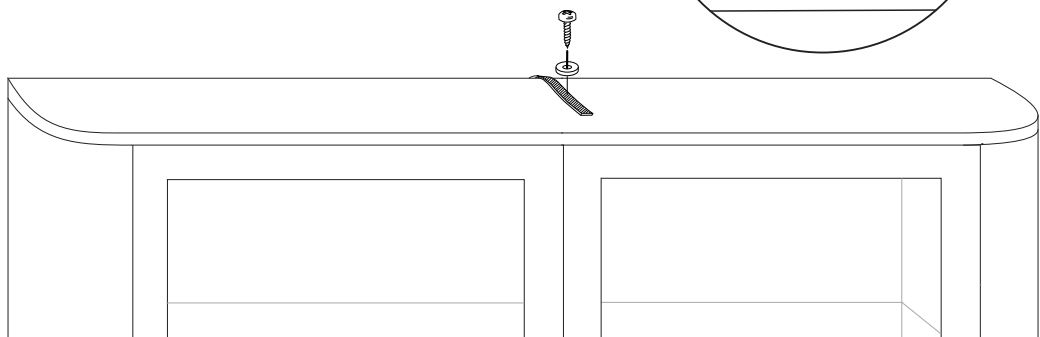
6 cm  
2 1/4"



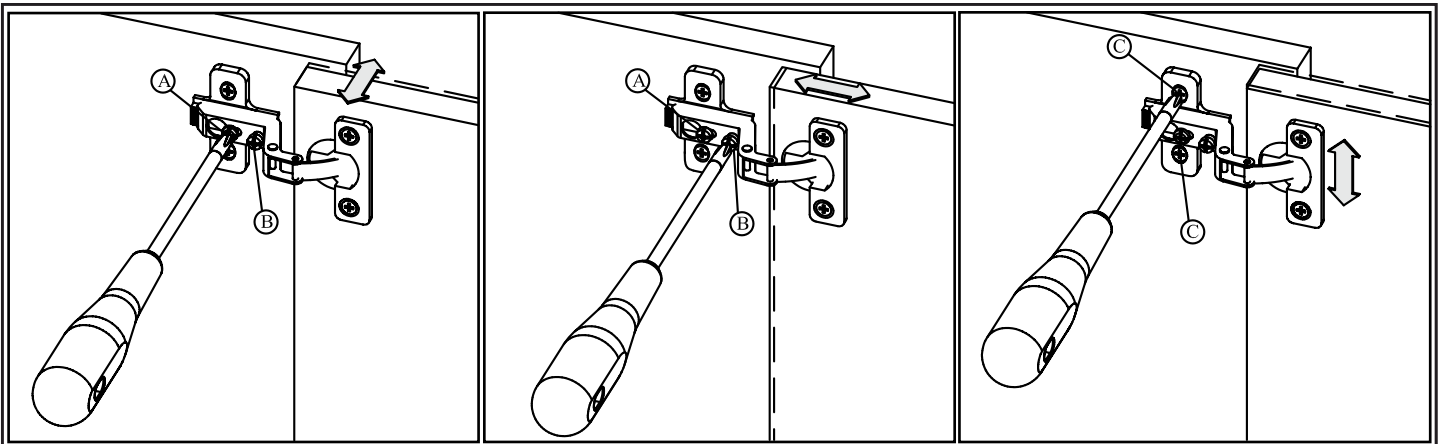
7



3 cm  
1 1/8"

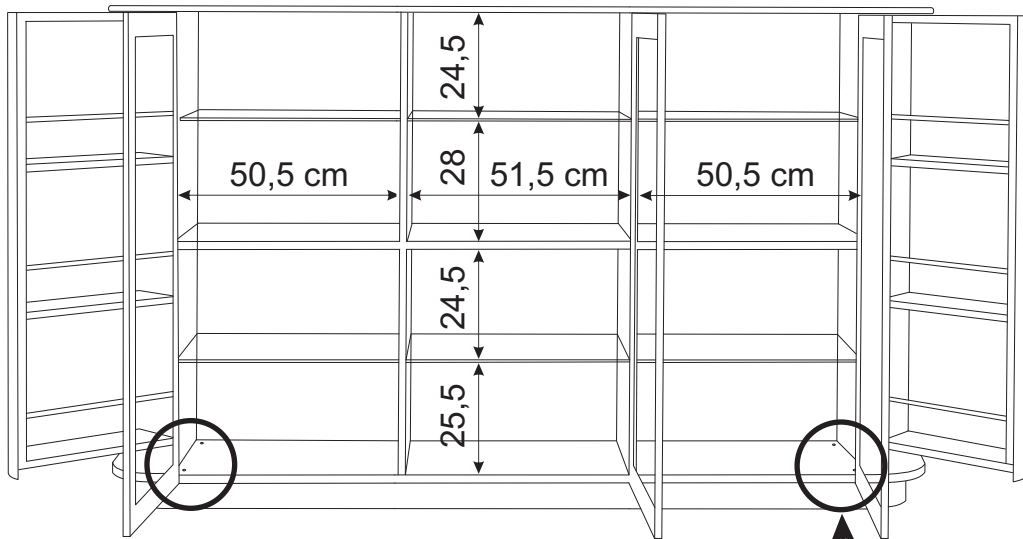


7



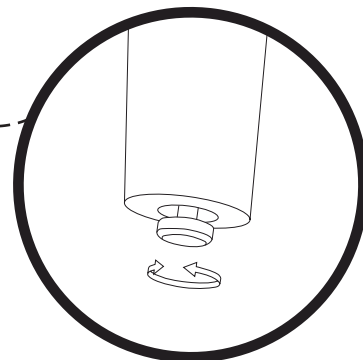
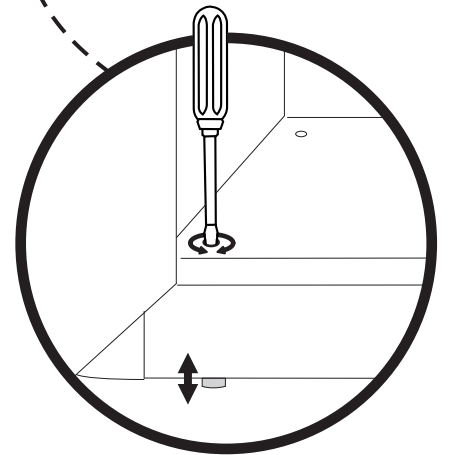
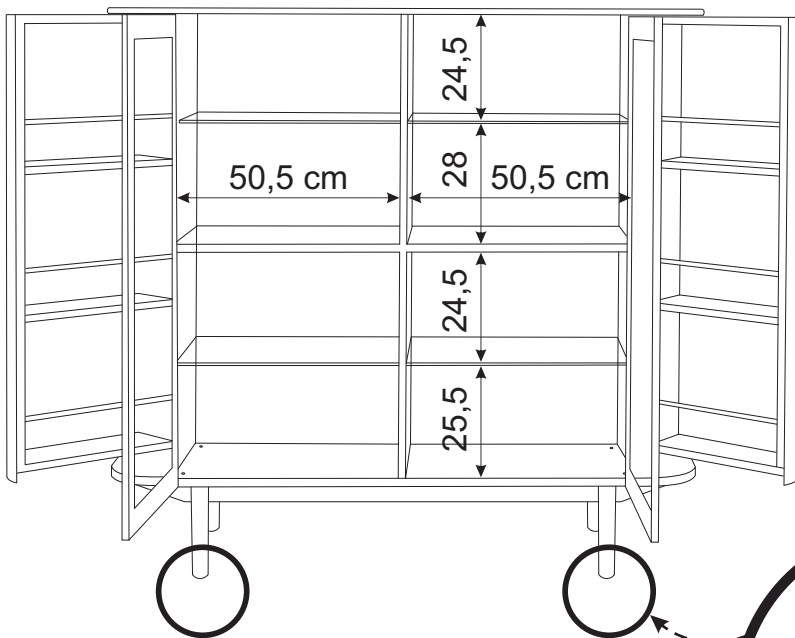
192 cm

116 cm

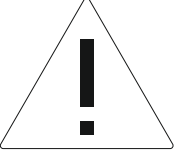
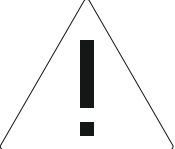

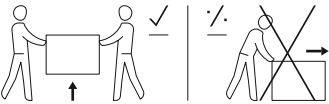
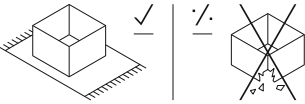
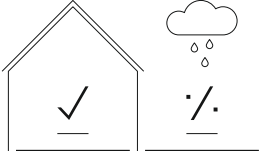
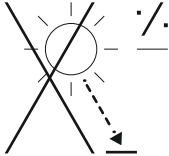
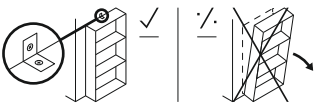
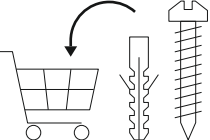
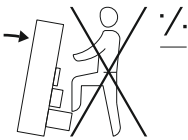



139 cm

128 cm





	<p>Please tighten the screws/legs after 4-5 weeks of use and then subsequently every 4-5 months.</p>
	<p>We do not recommend that young children are present during assembly due to the risk of choking on small parts and/or injury. Never leave your child unattended with furniture that has not been fully assembled.</p>
	<p>Requires 2 persons to lift.</p>
	<p>Do not push or drag boxes or furniture across the floor - please lift when moving.</p>
	<p>We recommend using a non-slip rug underlay.</p>
	<p>This product is for indoor use only.</p>
	<p>Do not place the furniture in direct sunlight.</p>
	<p><b>ANTI-TOPPLE WARNING!</b> This product must be permanently fixed to the wall with the wall anchor included, to avoid fatal injuries in case it topples over. The pack only contains screws for fastening the anchor itself to the product. Please contact a DIY or hardware store for advice on the correct type of screws/wall plugs for your type of wall.</p>
	<p><b>IMPORTANT!</b> Mounting screws are not included. Always make sure that the fastening method you choose is suitable and safe for your home. As wall and sealing materials vary, raw plug and screws for fixing to the wall and sealing are not included. Contact your local hardware store for advice on suitable wall plugs and screws.</p>
	<p>Do not use furniture as a climbing aid.</p>
	<p>Do not sit, stand or jump on the furniture.</p>