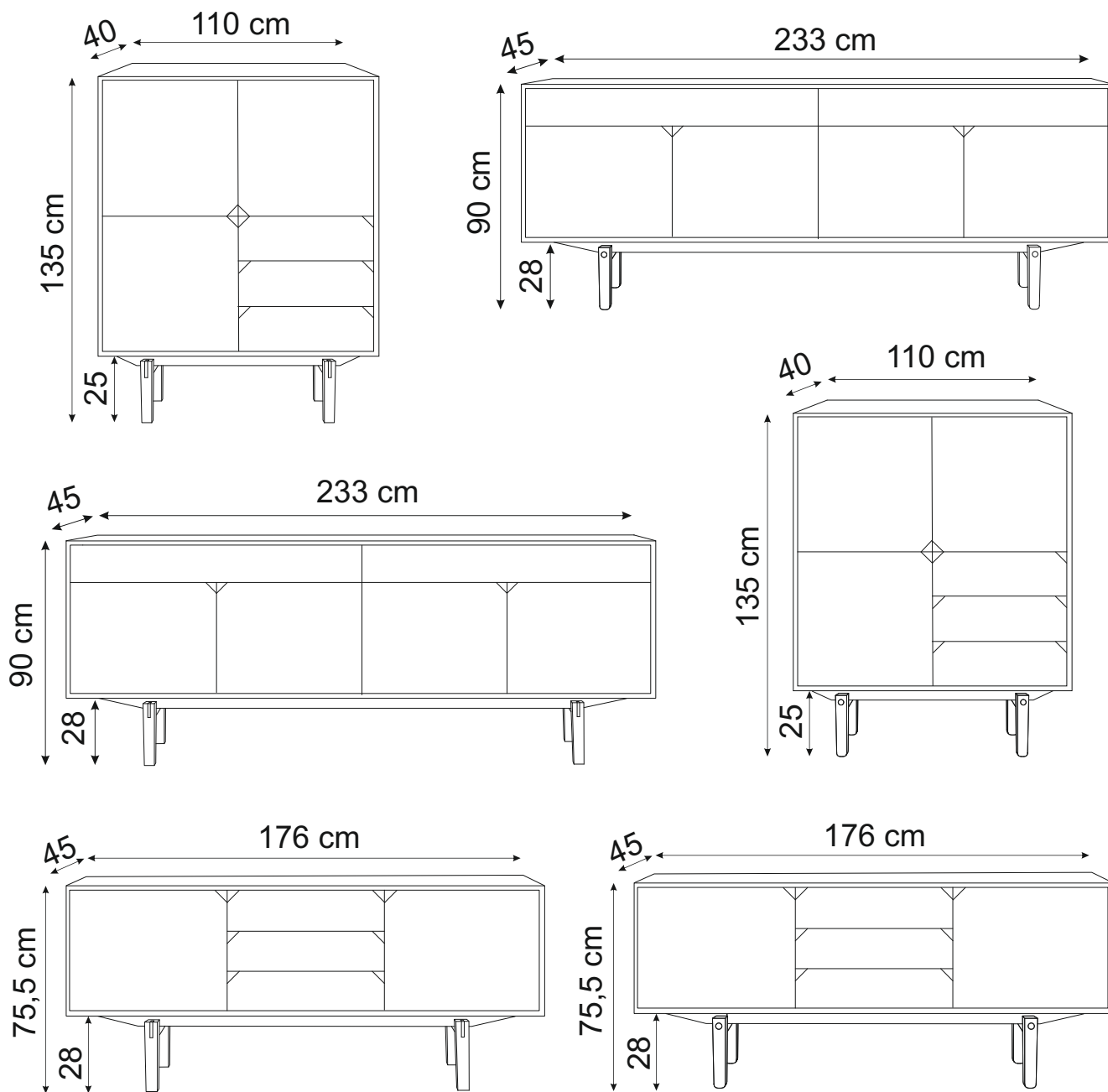
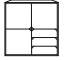
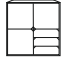
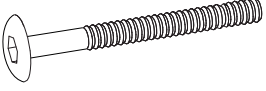

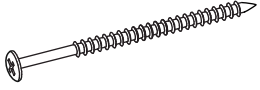

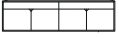
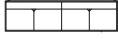
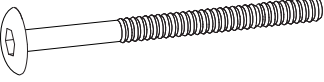
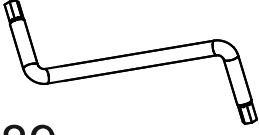
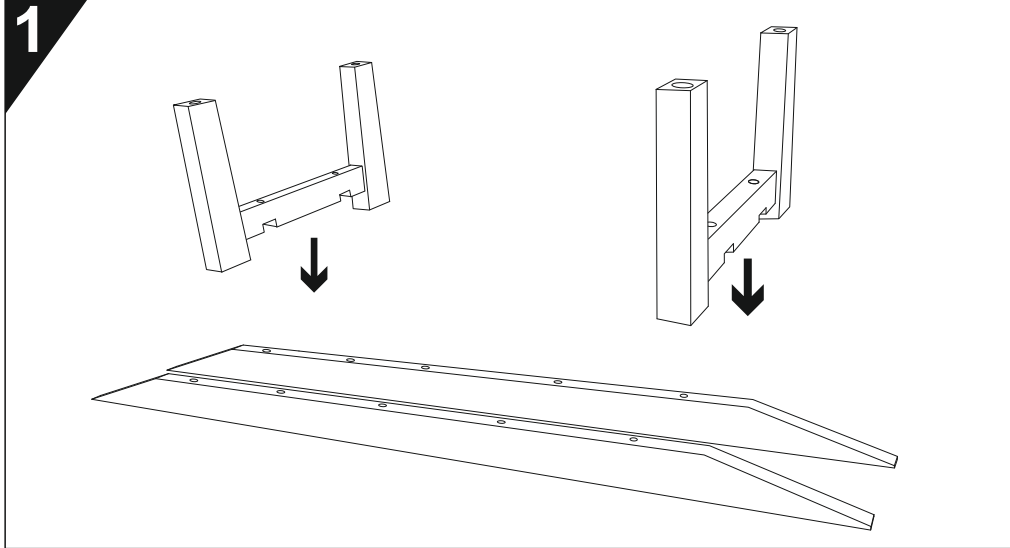
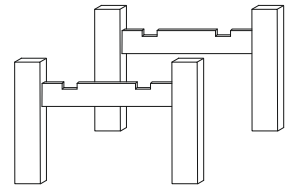
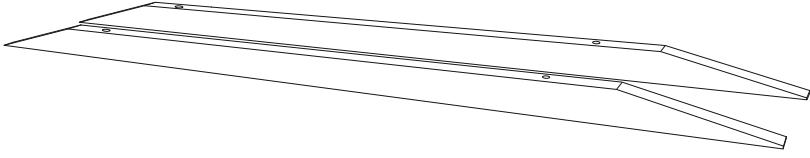
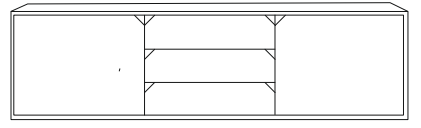
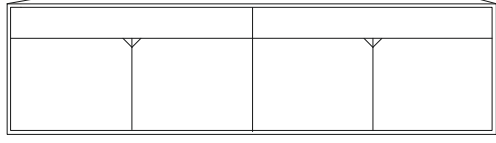
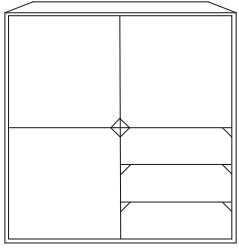

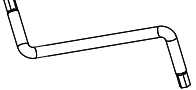


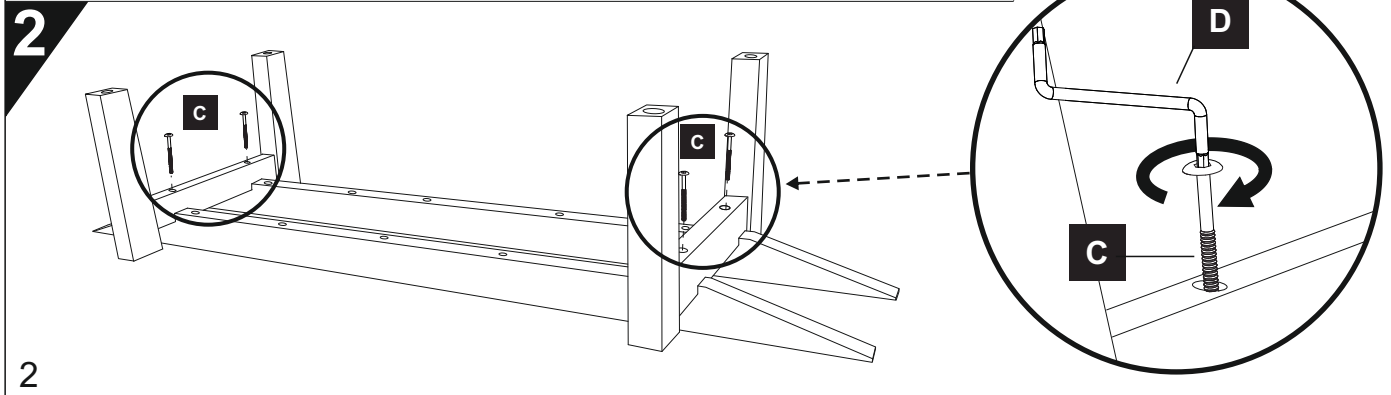
# Space / Coint



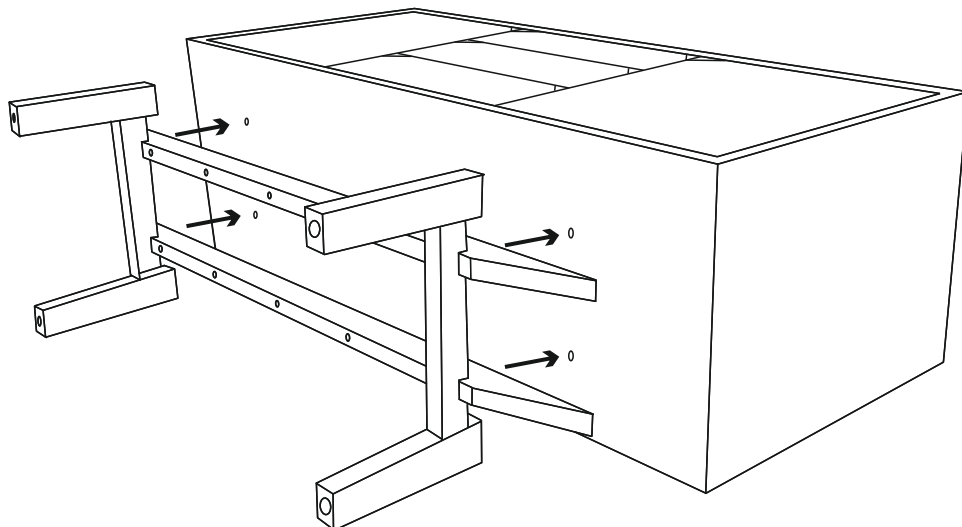
<b>A</b>	M6x60 mm	4		<b>B</b>	5x60mm	6	
		4				8	
		8				12	
<b>C</b>	M6x90 mm			<b>D</b>	4 mm		
							
		4		241189		1	



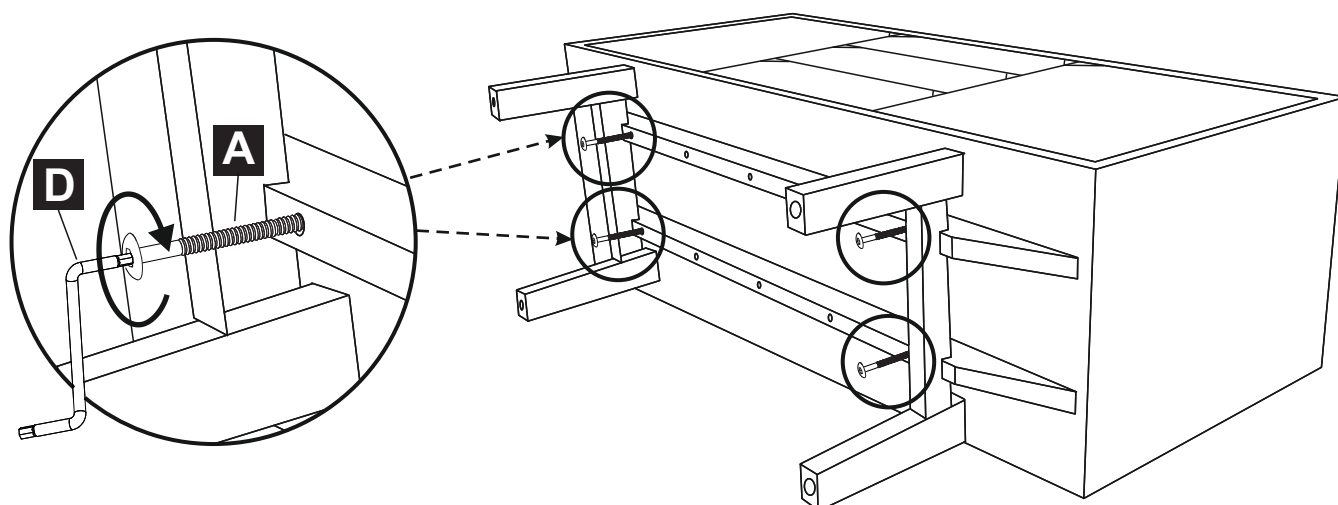
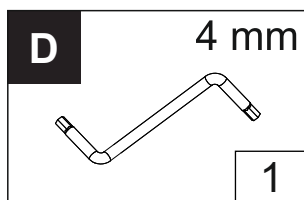
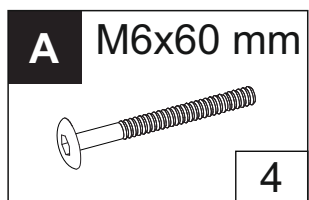
<b>C</b>	M6x90 mm	
		4
<b>D</b>	4 mm	
		1



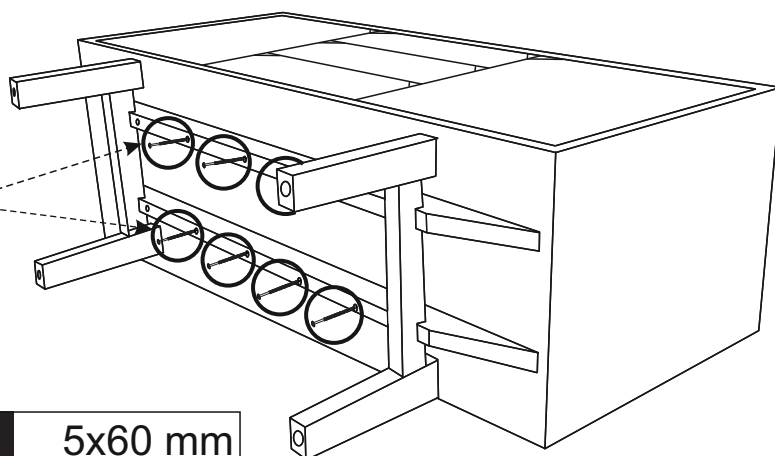
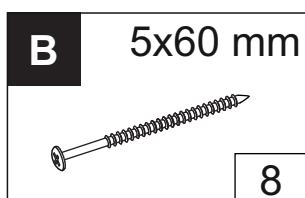
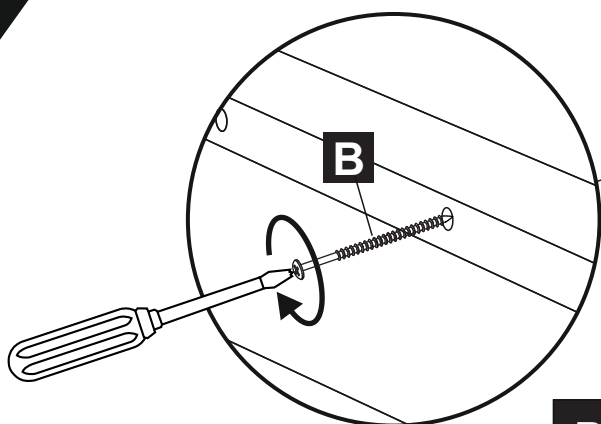
3



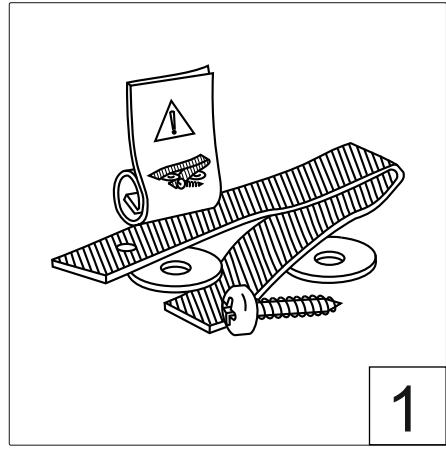
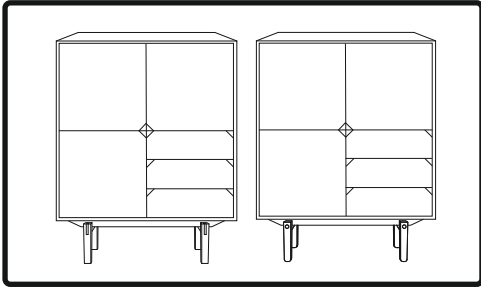
4



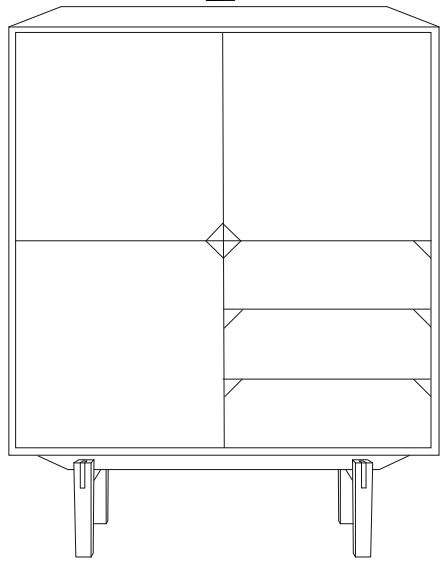
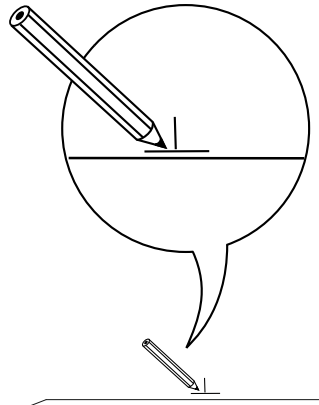
5



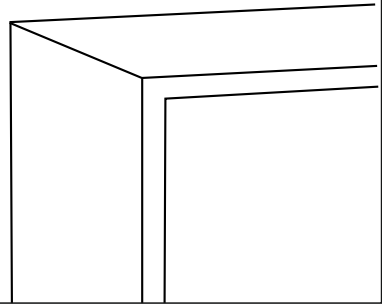
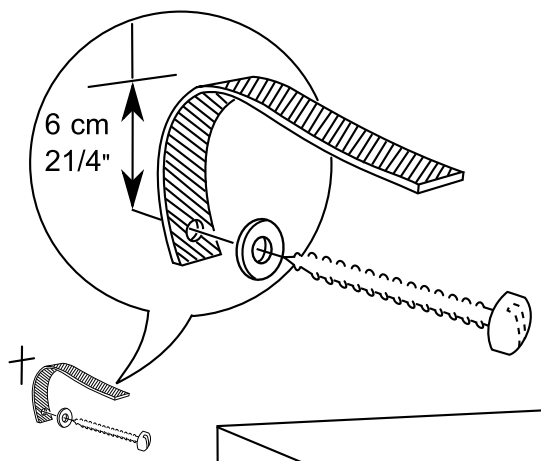
6



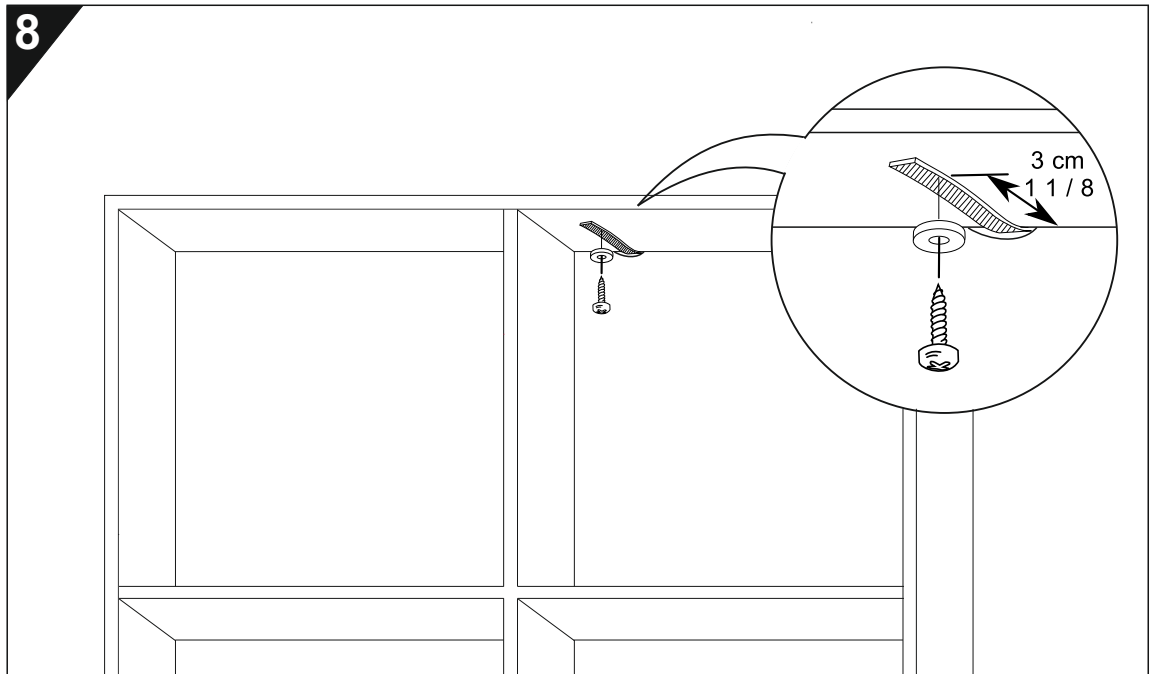
1



7



8



4

